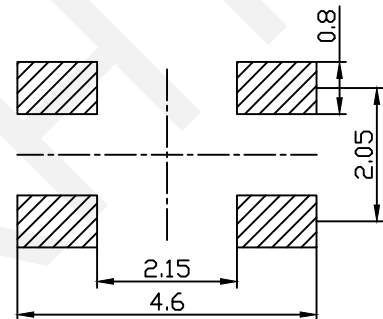
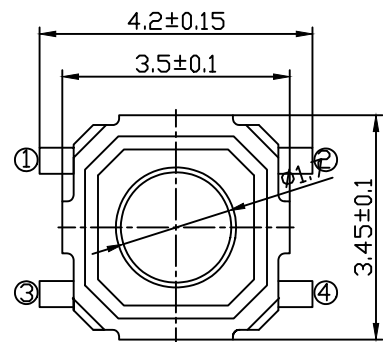
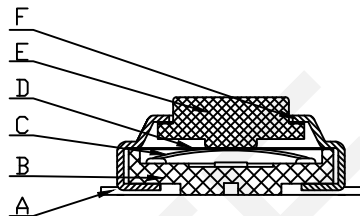
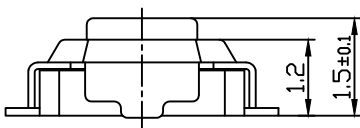


Circuit Diagram



P.C.B LAYOUT

Specifications:

- 1.Rated Current:50mA, 12V DC
- 2.Insulation Resistance:100MΩhm Min. 100V DC
After 260°High Temperature,Decay Value Withing
- 3.Contact Resistance:200mΩhm Max. 100V DC
- 3.Dielectric Strength:250V AC for 1min
20% Of The Initial Value

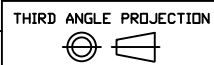
ORDER INFORMATION

RHTGYS3303A-1.5-250-B

Series No
Height:1.5mm
Color: B=Black,L=Blue

RHTECP NINGBO RHT ELECTRONIC CO.,LTD

UNITS:mm	SHEET SIZE: A4				SCALE:---	DRWN BY PAN
0~3	3~18	18~50	50~120	CHK'D BY FENG	Tactile Switches	
±0.12	±0.15	±0.3	±0.5	APPR BY ZHAN	RHTGYS3303A	



RHTGYS3303A