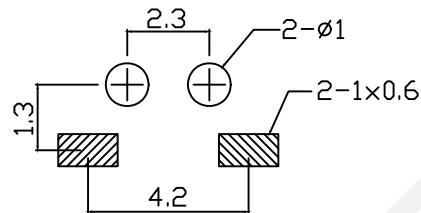
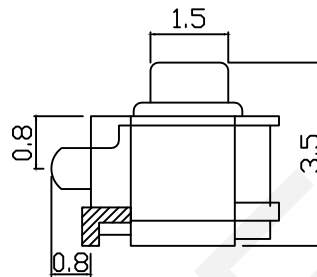
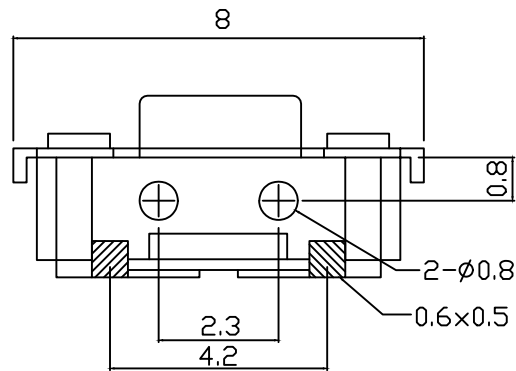


Dimension (unit: mm)



ELECTRICAL

- 1.Rating:50mA 12V DC
- 2.Contact Resistance :50m Ω Max<Initial>
- 3.Insulation Resistance:100M Ω (Min DC 250V)
- 4.Dielectric Strength:AC 250V(50/60Hz For 1minute)
- 5.Electrically Life:100000 Cycles
- 6.Environment Temperature:-30°C~+120°C
- 7.Operating Force:180/250(\pm 30gf)
- 8.Seal Temperature:260°C~280°C

ORDER INFORMATION

RHTGYS3606-3.5-180-B

Series No:

Height:3.5mm

Operating Force:180~250gf

Packing: B=Bulk T=Tape

RHTECP NINGBO RHT ELECTRONIC CO.,LTD

UNITS:mm

SHEET SIZE: A4

SCALE:---

DRWN BY PAN

3x6 Tact Switch Series

0~3

3~18

18~50

50~120

CHK'D BY FENG

THIRD ANGLE PROJECTION

\pm 0.12

\pm 0.15

\pm 0.3

\pm 0.5

APPR BY ZHAN



RHTGYS3606