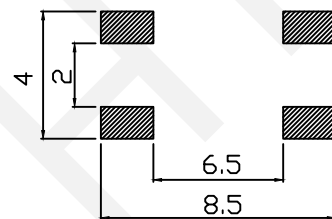
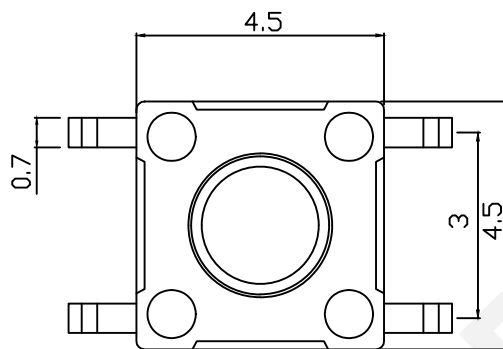


H
3.8
4.8
7.0
8.5

**ELECTRICAL**

1. Rating: 50mA 12VDC
2. Contact Resistance:  $\leq 50\text{m}\Omega$  max(Initial)
3. Insulation Resistance:  $100\text{M}\Omega$  min(DC 250V)
4. Dielectric Strength: AC250V(50/60Hz For 1minute)
5. Electrically Life: 100000 Cycles
6. Environment Temperature:  $-20^{\circ}\text{C} \sim +70^{\circ}\text{C}$
7. Operating Force: 180/250( $\pm 30\text{gf}$ )
8. Seal Temperature:  $260^{\circ}\text{C} \sim 280^{\circ}\text{C}$



PCB LAYOUT

**ORDER INFORMATION**

RHTGYS4502-H1-180-B

Series No

Height: 3.8mm, 4.8mm, 7.0mm, 8.5mm

Operating Force: 180~250gf

Packing: B=Bulk T=Tape

**RHTECP** NINGBO RHT ELECTRONIC CO.,LTD

UNITS:mm	SHEET SIZE: A4			SCALE:---
0~3	3~18	18~50	50~120	
$\pm 0.12$	$\pm 0.15$	$\pm 0.3$	$\pm 0.5$	

DRWN BY PAN

CHK'D BY FENG

APPR BY ZHAN

4.5x4.5mm Tact Switch Series

THIRD ANGLE PROJECTION



RHTGYS4502