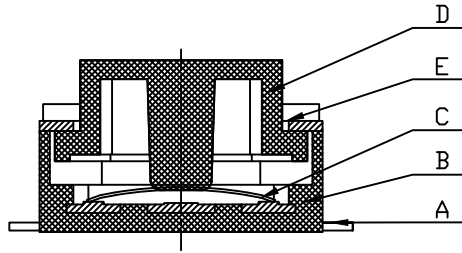


Schematic

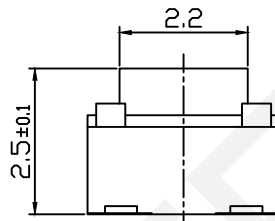
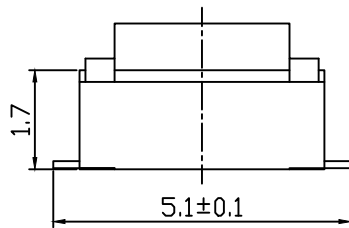


Electrical:

1. Rating: 50mA 12V DC
2. Contact Resistance: 100mΩ Max.
3. Insulation Resistance: 100MΩ Min, 100V DC
4. Dielectric Voltage proof: 250V AC For 1Min
5. Electrically Life: 100000 Cycles Min.
6. Operating Force: 250±50gf
7. Environment Temperature: -30°C~+80°C

Materials:

1. Cards: Phosphor, 0.12, Plated Nickel Silver
2. Pedestal: LCP, White
3. Shrapnel: Stainless Steel
4. Push Button: LCP, White
5. Cover: Stainless steel 0.2



ORDER INFORMATION

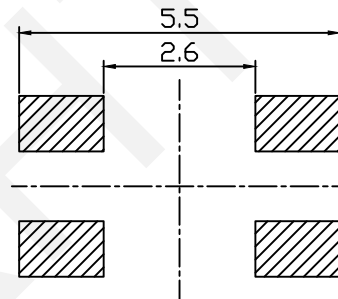
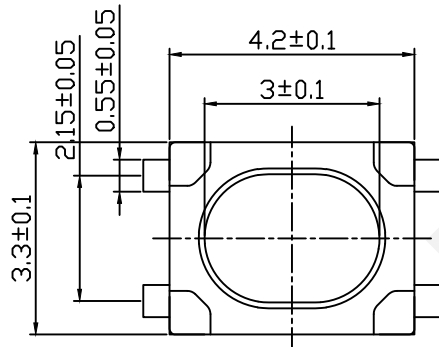
RHTGYS3401-2.5-250-B

3x4mm Tact Switch

Height: 2.5mm

Operating Force: 250(±50gf)

Packing: B-Bulk



P.C.B Layout

RHTECP NINGBO RHT ELECTRONIC CO.,LTD

UNITS:mm	SHEET SIZE: A4			SCALE:---
0~3	3~18	18~50	50~120	
±0.12	±0.15	±0.3	±0.5	

DRWN BY PAN
CHK'D BY FENG
APPR BY ZHAN

2x4mm With Column, Heightening, Tactile Switches
THIRD ANGLE PROJECTION
RHTGYS3401