

PANEL MOUNTING HOLE

SPECIFICATIONS

Rating: 5A 125VAC; 2A 250VAC
 Contact Resistance: 20MΩ max
 Insulation Resistance: 500V DC 1000MΩ Min
 Dielectric Strength: 1500V AC 1 Minute
 Operating Temperature: -55°C~+85°C
 Electrical Life: 20,000 Cycles

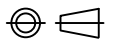
ORDER INFORMATION

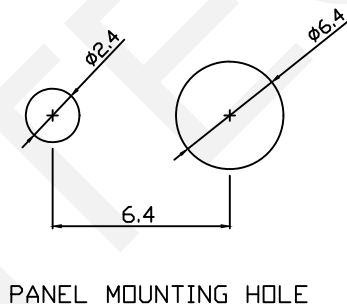
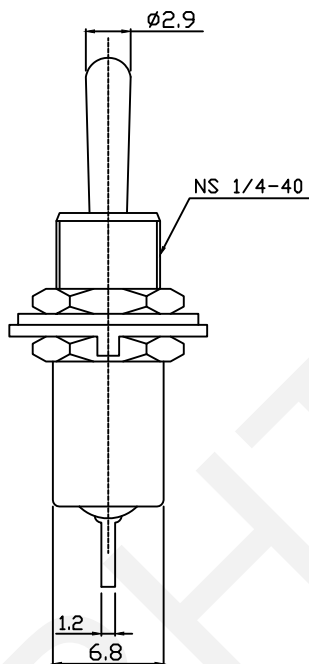
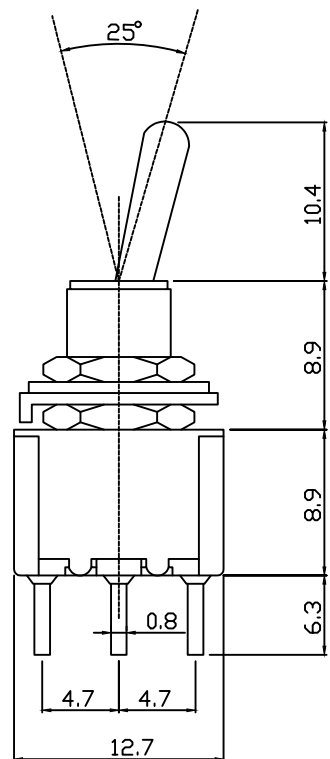
RHTGYS-1 02-A 1 X X

Miniature Toggle
 Switch Series
 POLES 1=Single Pole
 2=Double Pole
 CIRCUIT: 01=ON-OFF 02=ON-ON
 03=ON-OFF-ON
 Handle Type: A=Standard C=Short
 Terminal Type: 1=Solder Terminal
 2=Pc Terminal 3=Pc-H Terminal
 4=Pc-V Terminal
 Handle Cap Type: R=Red B=Black
 W=White Y=Yellow G=Green BL=Blue
 BRACKET: T=With Bracket
 None=Without Bracket

RHTECP NINGBO RHT ELECTRONIC CO.,LTD

UNITS:mm	SHEET SIZE: A4		SCALE:---	DRWN BY PAN
0~3	3~18	18~50	50~120	CHK'D BY FENG
±0.12	±0.15	±0.3	±0.5	APPR BY ZHAN

Miniature Toggle Switch Series
 THIRD ANGLE PROJECTION

 RHTGYS-102-A1



SPECIFICATIONS

Rating: 5A 125VAC; 2A 250VAC
 Contact Resistance: 20MΩ max
 Insulation Resistance: 500V DC 1000MΩ Min
 Dielectric Strength: 1500V AC 1 Minute
 Operating Temperature: -55°C~+85°C
 Electrical Life :20,000 Cycles

ORDER INFORMATION

RHTGYS-1 02-A 2 X X

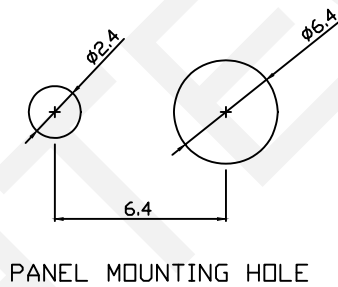
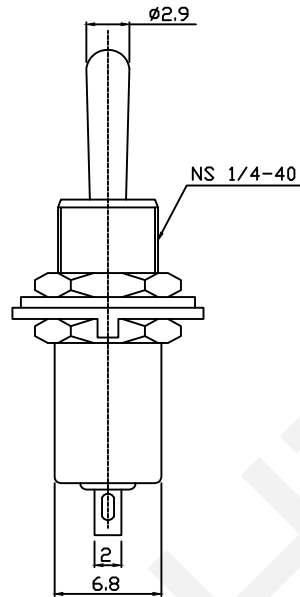
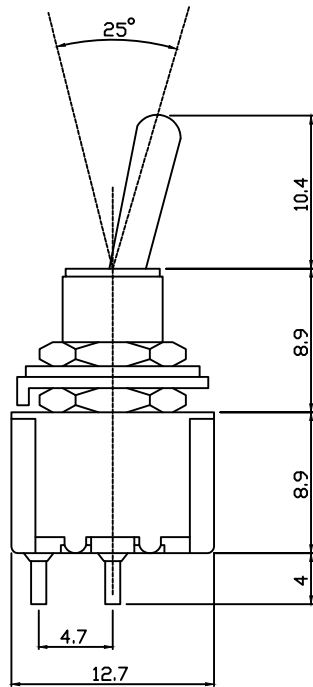
Miniature Toggle
 Switch Series
 POLES 1=Single Pole
 2=Double Pole
 CIRCUIT: 01=ON-OFF 02=ON-ON
 03=ON-OFF-ON
 Handle Type: A=Standard C=Short
 Terminal Type: 1=Solder Terminal
 2=Pc Terminal 3=Pc-H Terminal
 4=Pc-V Terminal
 Handle Cap Type: R=Red B=Black
 W=White Y=Yellow G=Green BL=Blue
 BRACKET: T=With Bracket
 None=Without Bracket

RHTECP NINGBO RHT ELECTRONIC CO.,LTD

UNITS:mm	SHEET SIZE: A4			SCALE:---	DRWN BY PAN
0~3	3~18	18~50	50~120	CHK'D BY FENG	THIRD ANGLE PROJECTION
±0.12	±0.15	±0.3	±0.5	APPR BY ZHAN	

Miniature Toggle Switch Series

RHTGYS-102-A2



SPECIFICATIONS

Rating: 5A 125VAC; 2A 250VAC
 Contact Resistance: 20MΩ max
 Insulation Resistance: 500V DC 1000MΩ Min
 Dielectric Strength: 1500V AC 1 Minute
 Operating Temperature: -55°C~+85°C
 Electrical Life :20,000 Cycles

ORDER INFORMATION

RHTGYS-1 01-A 1 X X

Miniature Toggle _____
 Switch Series _____
 POLES 1:=Single Pole _____
 2=Double Pole _____
 CIRCUIT: 01=ON-OFF 02=ON-ON _____
 03=ON-OFF-ON _____
 Handle Type: A=Standard C=Short _____
 Terminal Type: 1=Solder Terminal _____
 2=Pc Terminal 3=Pc-H Terminal _____
 4=Pc-V Terminal _____
 Handle Cap Type: R=Red B=Black _____
 W=White Y=Yellow G=Green BL=Blue _____
 BRACKET: T=With Bracket _____
 None=Without Bracket _____

RHTECP NINGBO RHT ELECTRONIC CO.,LTD

UNITS:mm	SHEET SIZE: A4	SCALE:---	DRWN BY PAN
0~3	3~18	18~50	50~120
±0.12	±0.15	±0.3	±0.5

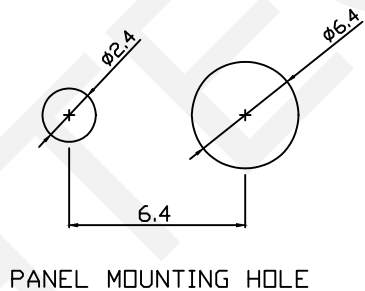
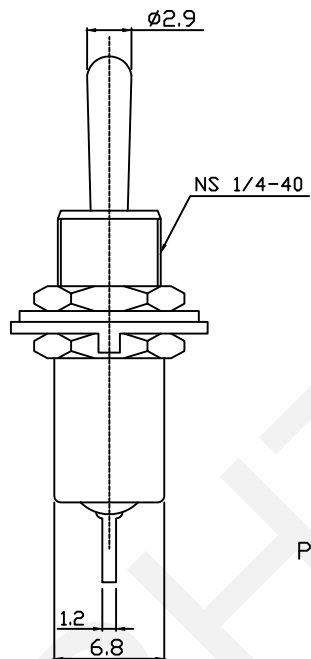
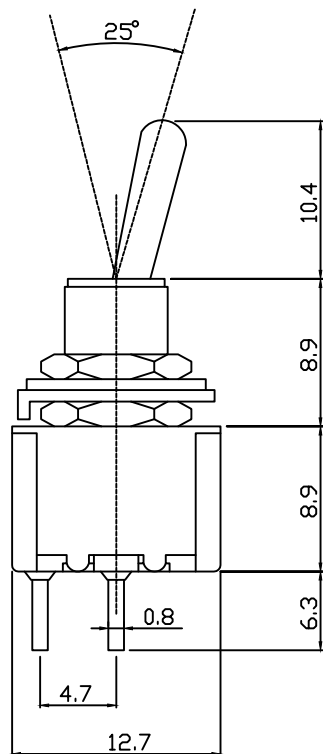
CHK'D BY FENG
 APPR BY ZHAN

Miniature Toggle Switch Series

THIRD ANGLE PROJECTION



RHTGYS-101-A1



PANEL MOUNTING HOLE

SPECIFICATIONS

Rating: 5A 125VAC; 2A 250VAC
 Contact Resistance: 20MΩ max
 Insulation Resistance: 500V DC 1000MΩ Min
 Dielectric Strength: 1500V AC 1 Minute
 Operating Temperature: -55°C~+85°C
 Electrical Life :20,000 Cycles

ORDER INFORMATION

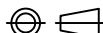
RHTGYS-1 01-A 2 X X

Miniature Toggle
 Switch Series
 POLES 1:=Single Pole
 2=Double Pole
 CIRCUIT: 01=ON-OFF 02=ON-ON
 03=ON-OFF-ON
 Handle Type: A=Standard C=Short
 Terminal Type: 1=Solder Terminal
 2=Pc Terminal 3=Pc-H Terminal
 4=Pc-V Terminal
 Handle Cap Type: R=Red B=Black
 W=White Y=Yellow G=Green BL=Blue
 BRACKET: T=With Bracket
 None=Without Bracket

RHTECP NINGBO RHT ELECTRONIC CO.,LTD

UNITS:mm	SHEET SIZE: A4	SCALE:---	DRWN BY PAN
0~3	3~18	18~50	50~120
±0.12	±0.15	±0.3	±0.5

CHK'D BY FENG
 APPR BY ZHAN

Miniature Toggle Switch Series
 THIRD ANGLE PROJECTION

 RHTGYS-101-A2