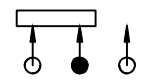


SCHEMATIC



SPECIFICATIONS

Rating: 0.5A 50VDC
 Contact Resistance: 30MΩ Max
 Insulation Resistance: 500VDC 100MΩ Min
 Dielectric Strength: 500V AC 1 Minute
 Operating Force: 100gf~800gf
 Electrical Life: 10,000 Cycles

ORDER INFORMATION

RHTGYK02 - 1 2 E 12 - X X - X

Slide Switch Type _____
 Pole _____
 Throw _____

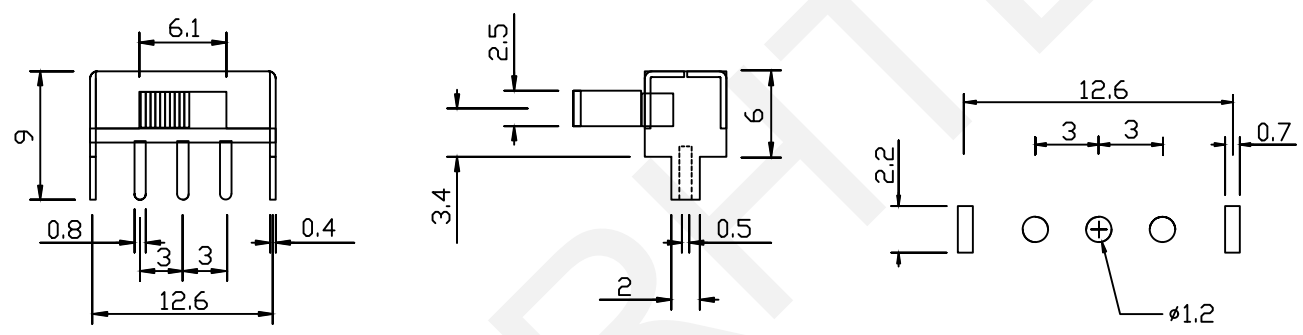
Travelling					
C	D	E	F	G	H
1.5	2.0	2.5	3.0	3.5	4.0
I	J	K	L	N	P
4.5	5.0	5.5	6.0	7.0	8.0

Sequential No. _____

Knob Type					
RG	G	TG	VG	EG	CG

Knobe Height _____
 Operating Force _____

P.C.B.HOLE DETAIL



NINGBO RHT ELECTRONIC CO.,LTD

UNITS:mm	SHEET SIZE: A4			SCALE:---	DRWN BY PAN
0~3	3~18	18~50	50~120	CHK'D BY FENG	
±0.12	±0.15	±0.3	±0.5	APPR BY ZHAN	

(1P2T) Slide Switch Series

THIRD ANGLE PROJECTION

RHTGYK02-12E12