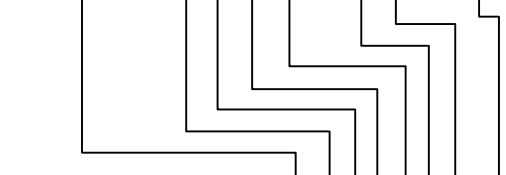


**SPECIFICATIONS**

Rating: 0.3A 50VDC  
 Contact Resistance: 50MΩ Max  
 Insulation Resistance: 500VDC 100MΩ Min  
 Dielectric Strength: 100V AC 1 Minute  
 Operating Force: 100gf~800gf  
 Electrical Life: 10,000 Cycles

**ORDER INFORMATION**

RHTGYS08 - 1 4 D 01 - X X - X



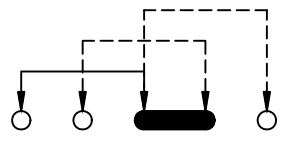
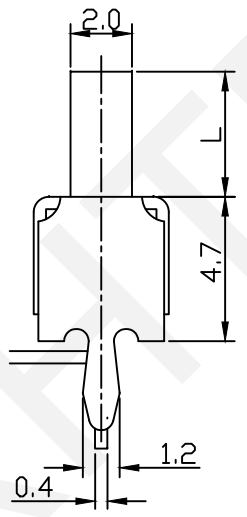
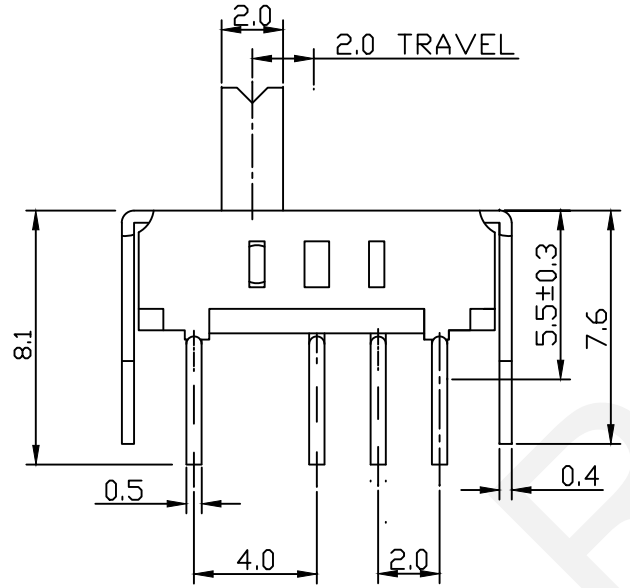
Slide Switch Type \_\_\_\_\_  
 Pole \_\_\_\_\_  
 Throw \_\_\_\_\_

Travelling					
C	D	E	F	G	H
1.5	2.0	2.5	3.0	3.5	4.0
I	J	K	L	N	P
4.5	5.0	5.5	6.0	7.0	8.0

Sequential No. \_\_\_\_\_

Knob Type					
RG	G	TG	VG	EG	CG

Knobe Height \_\_\_\_\_  
 Operating Force \_\_\_\_\_



SCHMATIC



NINGBO RHT ELECTRONIC CO.,LTD

UNITS:mm	SHEET SIZE: A4			SCALE:---	DRWN BY PAN
0~3	3~18	18~50	50~120	CHK'D BY FENG	THIRD ANGLE PROJECTION 
±0.12	±0.15	±0.3	±0.5	APPR BY ZHAN	

(1P3T) Slide Switch Series

RHTGYS08-13D01