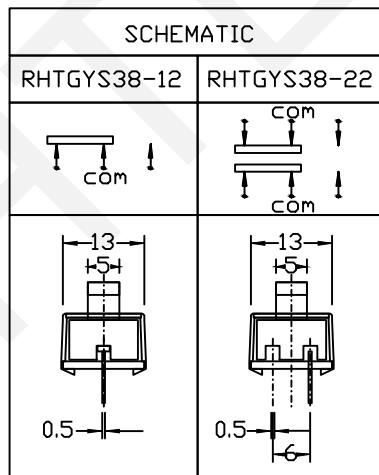
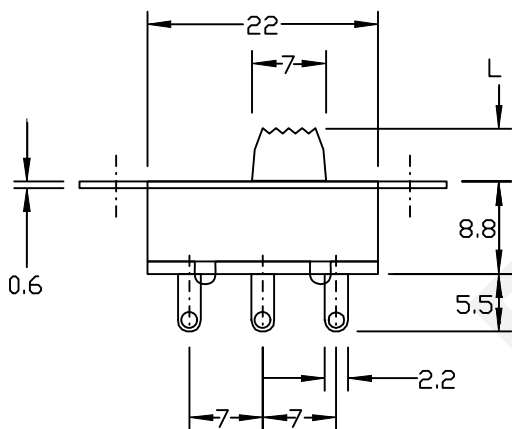


SPECIFICATIONS

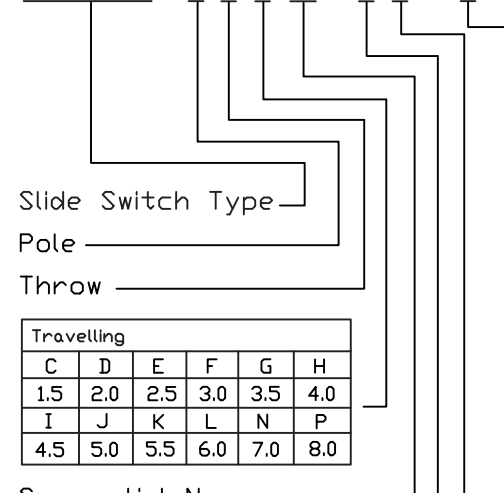
Rating: 1.5A 50VDC
 Contact Resistance: 30MΩ Max
 Insulation Resistance: 500VDC 100MΩ Min
 Dielectric Strength: 500V AC 1 Minute
 Operating Force: 200gf~600gf
 Electrical Life: 10,000 Cycles

X: M3X0.5 M3X0.6
 L: 0,1,2,3,4,5,6,7,8,9,10,11,12,13(mm)



ORDER INFORMATION

RHTGYS38 - 2 4 J 29 - X X - X



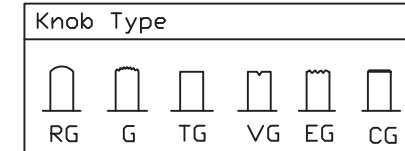
Slide Switch Type _____

Pole _____

Throw _____

Travelling					
C	D	E	F	G	H
1.5	2.0	2.5	3.0	3.5	4.0
I	J	K	L	N	P
4.5	5.0	5.5	6.0	7.0	8.0

Sequential No. _____



Knobe Height _____

Operating Force _____

RHTECP NINGBO RHT ELECTRONIC CO.,LTD

UNITS:mm	SHEET SIZE: A4			SCALE:---	DRWN BY PAN
0~3	3~18	18~50	50~120	CHK'D BY FENG	
±0.12	±0.15	±0.3	±0.5	APPR BY ZHAN	

(2P2T) Slide Switch Series
 THIRD ANGLE PROJECTION

 RHTGYS38-22J29