

CIRCUIT

ELECTRICAL

Rating:0.3A 6V DC

Function:2P2T

Timing:Non-Shorting

Contact Resistance:70mΩ Max.

Insulation Resistance:100MΩ Min.at 500V DC

Dielectric Strength: AC 500V For 1Min

Operating Temper:-20°C~80°C

Operating Force:250±150gf

Life Test:10000 Cycles

Order Information:

RHTGYSS-2235S-B R

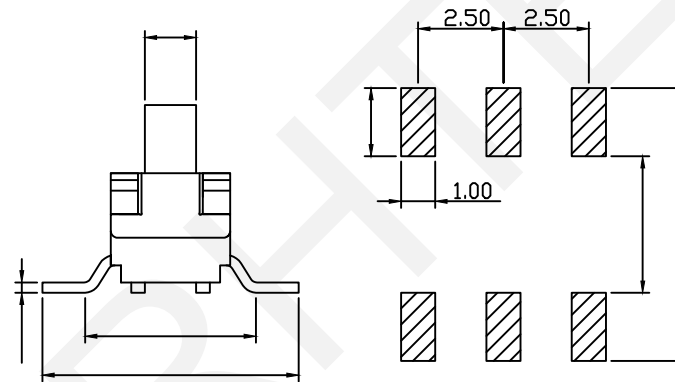
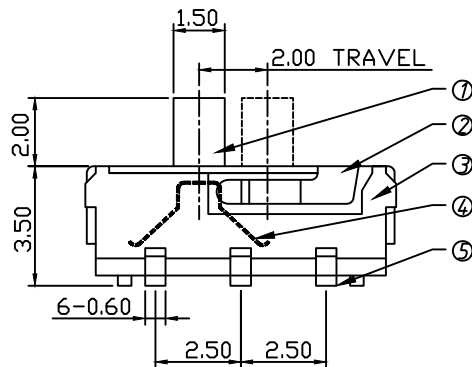
DPDT

STEM Color:

B-Black W-White

PACKING:

R-Tape&Reel



P.C.B LAYOUT

5	TERMINAL A/B/C	C2680	Ag PLATED	6
4	CONTACT	C5210	Ag PLATED	2
3	BOTTOM	PA46	Black	1
2	COVER	SUS	Natural	1
1	STEM	PA46	Black OR White	1
NO.	PARTS	MATERIAL	FINISHING&COLOR	Q'TY



NINGBO RHT ELECTRONIC CO.,LTD

UNITS:mm

SHEET SIZE: A4

SCALE:---

DRWN BY PAN

Mini Slide Switch,9.0x3.5x3.5mm,
DPDT SMD Vertical

0~3

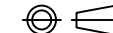
3~18

18~50

50~120

CHK'D BY FENG

THIRD ANGLE PROJECTION



RHTGYSS-2235S

±0.12

±0.15

±0.3

±0.5

APPR BY ZHAN

1

2

3

4

5

6

7

8

9