
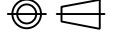
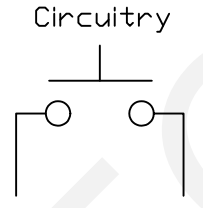
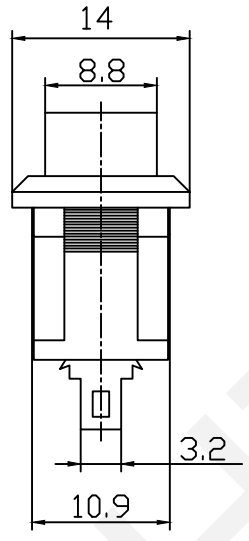
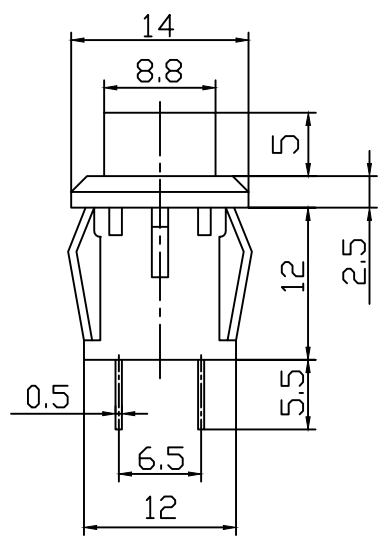
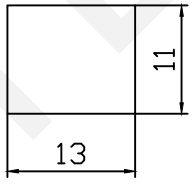


	1	2	3	4	5	6	7	8	9	
A										
B										
C										
D										
E										
F										
G	 NINGBO RHT ELECTRONIC CO.,LTD			UNITS:mm 0~3 3~18 18~50 50~120 ±0.12 ±0.15 ±0.3 ±0.5	SHEET SIZE: A4 18~50 50~120	SCALE:--- 18~50 50~120	DRWN BY PAN CHK'D BY FENG APPR BY ZHAN	Push Button Switch Series THIRD ANGLE PROJECTION 		RHTGYBS-003
	1	2	3	4	5	6	7	8	9	



<ON>-OFF

Mounting



ELECTRICAL

Rating: 3A 125V AC ,1A 250V AC
 Contact Resistance: 20mΩ Max
 Insulation Resistance: 100MΩ/500VDC Min
 Withstanding Voltage: AC1000V/1Min
 Operating Temperature: -25°C~+85°C
 Electrical Life: 50000 Cycles

ORDER INFORMATION

Product NO.: RHTGYBS-003 X X

Push Button Switch Series

Function: _____

C=ON-<OFF> D=OFF-<ON>

Button Color: _____

R=Red G=Green B=Black