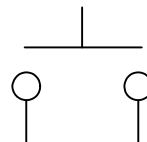


Circuitry



<ON>-OFF

ELECTRICAL

Rating: 3A 125V AC ,1A 250V AC

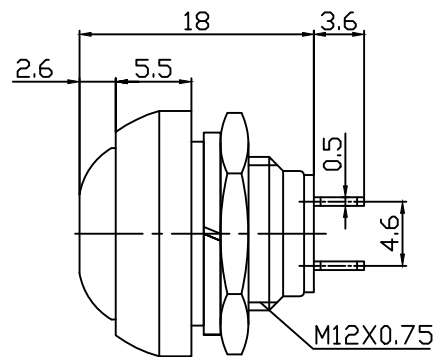
Contact Resistance: 20mΩ Max

Insulation Resistance: 100MΩ/500VDC Min

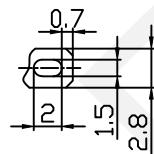
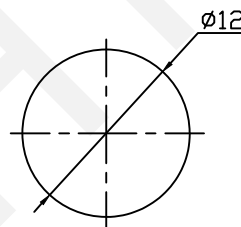
Withstanding Voltage: AC1000V/1Min

Operating Temperature: -25°C~+85°C

Electrical Life: 50000 Cycles



Mounting



ORDER INFORMATION

Product NO: RHTGYBS-010 X X

Push Button Switch Series

Function: D=OFF-<ON>

Button Color:

R=Red G=Green B=Black



NINGBO RHT ELECTRONIC CO.,LTD

UNITS:mm	SHEET SIZE: A4			SCALE:---	DRWN BY PAN
0~3	3~18	18~50	50~120	CHK'D BY FENG	THIRD ANGLE PROJECTION
±0.12	±0.15	±0.3	±0.5	APPR BY ZHAN	

Push Button Switch Series

RHTGYBS-010