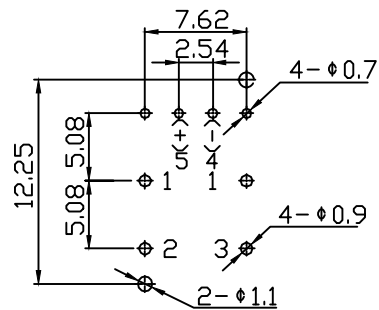


Specifications

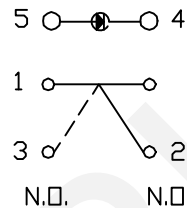
Circuit:SPDT
 Current Rating:12mA
 Voltage Rating:24VDC
 Dielectric Withstanding Voltage:250VAC for 1 Minute
 Contact Resistance:50mΩ Max. (Initial)
 Insulation Resistance:100MΩ Min.
 Operating Force:170±50gf
 Total Travel:2.0mm±0.4mm
 Operating Life:50,000 Cycles Min.
 Solder specifications:256±5°C For 5±0.5 Seconds
 Function:Momentary
 Operating:+10°C~+60°C

MATERIAL

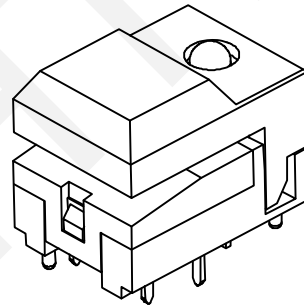
Cap: ABS;
 Base:Nylon66, UL Rated: 94V-2 Min.;
 Terminal: Phosphor Bronze, Golden Plated



P.C.B. Layout



Circuit Diagram



ORDER INFORMATION

Product NO: RHTGYP86-A1-B-1

Momentary Type
 Cap Style:CA1
 Cap Color:Black
 LED Color:RED

RHTECP NINGBO RHT ELECTRONIC CO.,LTD

UNITS:mm	SHEET SIZE: A4			SCALE:---	DRWN BY PAN
0~3	3~18	18~50	50~120	CHK'D BY FENG	
±0.12	±0.15	±0.3	±0.5	APPR BY ZHAN	

LED Push Button Switch

THIRD ANGLE PROJECTION



RHTGYP86-A1-B-1