

1 2 3 4 5 6 7 8 9

A

B

C

D

E

F

A

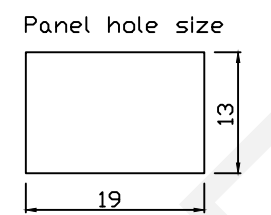
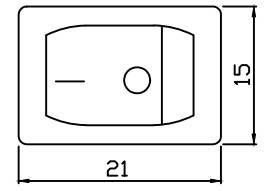
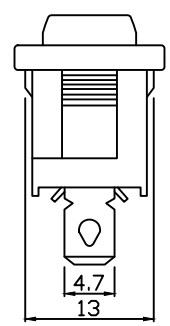
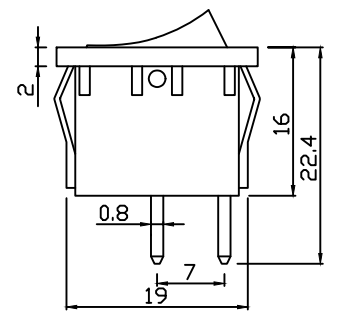
B

C

D

E

F



MATERIAL

- 1.Housing: Nylon 66
- 2.Rocker: PC & PA66
- 3.Contacts: Silver Alloy
- 4.Terminal: Brass Silver Plated
- 5.Lamp: Neon Lamp, Tungsten Lamp
- 6.Spring: SWP, SUS
- 7.Movable Arm: Brass Silver Plated

ELECTRICAL

- 1.Electrical Rating: 6(4)A 250VAC/10A 125VAC
- 2.Mechanical Life: Over 30000 Cycles
- 3.Electrical Life: Over 10000 Cycles
- 4.Contact Resistance: ≤50mΩ
- 5.Insulation Resistance: ≥100MΩ
- 6.High Voltage Resistance: >1500V 1 min
- 7.Ambient Temperature: Terminal Side -20°C~+85°C;
Actuating Side -20°C~+55°C
- 8.Storage Temperature: -30°C~+80°C Max
- 9.Atmospheric Humidity: Max 85%
- 10.Actuating Force: 4~8N (Depends On Different Witch Function)
- 11.Flammability: UL94V-2
- 12.Temperature Rise At The Terminal: Max 30°C (UL1054)
- 13.Solder Ability Of Terminal: Max 350°C 3S

ORDER INFORMATION

RHTGY15- 1 01 N 1 1 B B

Series No

Poles 1: Single Pole	Function 01: ON-OFF 02: ON-ON 03: ON-OFF-ON	Lamp 0: Lamp Not N: 220V Neon Lamp	Marking 1: 2: 3: 4:	Terminal 1: 0.8x4.7 2: 0.6x4.7	Actuator Color B: Black R: Red G: Green	Base Color B: Black W: White G: Grey
--------------------------------	-------------------------------------------------------------	-------------------------------------------------	----------------------------------------	---------------------------------------------	---------------------------------------------------------	------------------------------------------------------

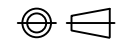


NINGBO RHT ELECTRONIC CO.,LTD

UNITS:mm	SHEET SIZE: A4			SCALE:---	DRWN BY PAN
0~3	3~18	18~50	50~120	CHK'D BY FENG	
±0.12	±0.15	±0.3	±0.5	APPR BY ZHAN	

Rocker Switch Series

THIRD ANGLE PROJECTION



RHTGY15

1 2 3 4 5 6 7 8 9

G

G