

1 2 3 4 5 6 7 8 9

A

A

B

B

C

C

D

D

E

E

F

F



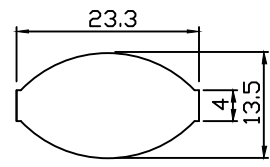
**MATERIAL**

- 1.Housing: Nylon 66
- 2.Rocker: PC & PA66
- 3.Contacts: Silver Alloy
- 4.Terminal: Brass Silver Plated
- 5.Lamp: Neon Lamp,Tungsten Lamp
- 6.Spring: SWP,SUS
- 7.Movable Arm: Brass Silver Plated

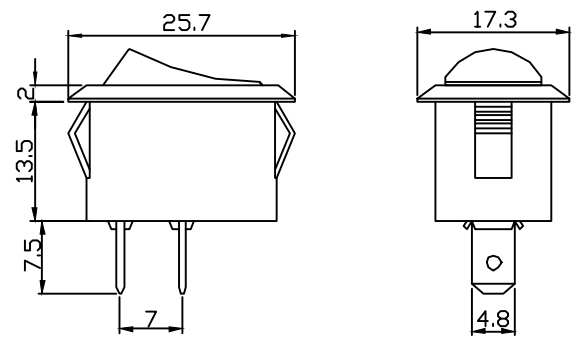
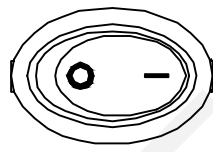
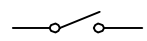
**ELECTRICAL**

- 1.Electrical Rating:6(4)A 250VAC/10A 125VAC
- 2.Mechanical Life:Over 30000 Cycles
- 3.Electrical Life: Over 10000 Cycles
- 4.Contact Resistance:≤50mΩ
- 5.Insulation Resistance:≥100MΩ
- 6.High Voltage Resistance:>1500V 1 min
- 7.Ambient Temperature:Terminal Side -20°C~+85°C;  
Actuating Side -20°C~+55°C
- 8.Storage Temperature: -30°C~+80°C Max
- 9.Atmospheric Humidity: Max 85%
- 10.Actuating Force: 4~8N(Depends On Different Witch Function)
- 11.Flammability: UL94V-2
- 12.Temperature Rise At The Terminal: Max 30°C (U1054)
- 13.Solder Ability Of Terminal: Max 350°C 3S

**Panel Hole Size**



**SWITCHING CIRCUIT**



**ORDER INFORMATION**

RHTGY21- 1 01 N 1 1 B B

Series No

<b>Poles</b> 1:Single Pole	<b>Function</b> 01:ON-OFF 02:ON-ON 03:ON-OFF-ON	<b>Lamp</b> 0:Lamp Not N:220V Neon Lamp	<b>Marking</b> 1 2 3 4	<b>Terminal</b> 1:0.8x4.7 2:0.8x4.7	<b>Actuator Color</b> B:Black R:Red G:Green	<b>Base Color</b> B:Black W:White G:Grey
-------------------------------	----------------------------------------------------------	--------------------------------------------------	------------------------------------	-------------------------------------------	------------------------------------------------------	---------------------------------------------------

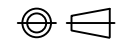


NINGBO RHT ELECTRONIC CO.,LTD

UNITS:mm	SHEET SIZE: A4			SCALE:---	DRWN BY PAN
0~3	3~18	18~50	50~120	CHK'D BY FENG	
±0.12	±0.15	±0.3	±0.5	APPR BY ZHAN	

Rocker Switch Series

THIRD ANGLE PROJECTION



RHTGY21

1 2 3 4 5 6 7 8 9

G

G