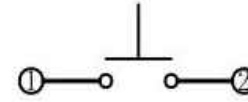
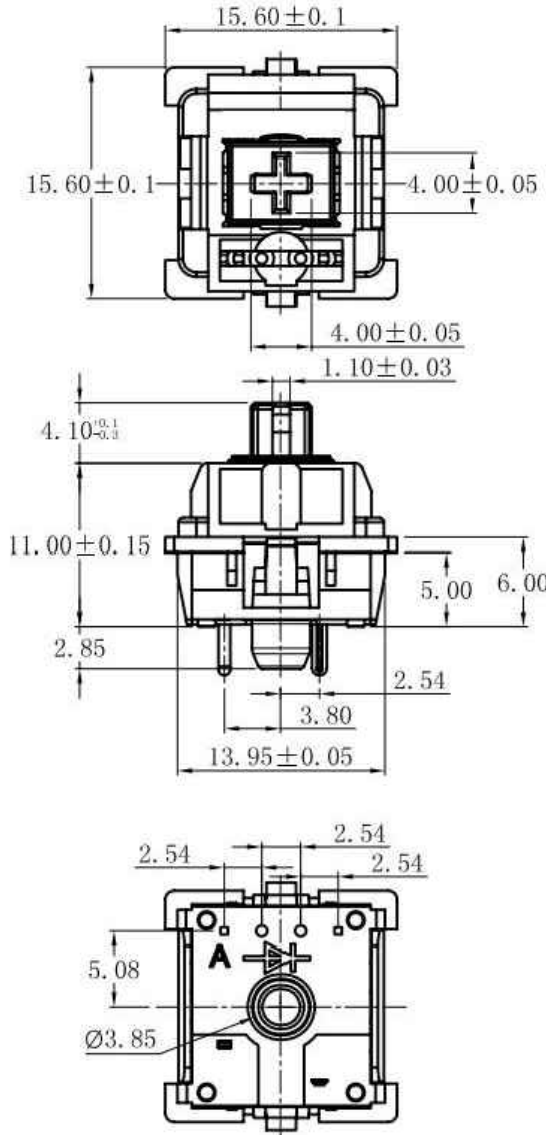
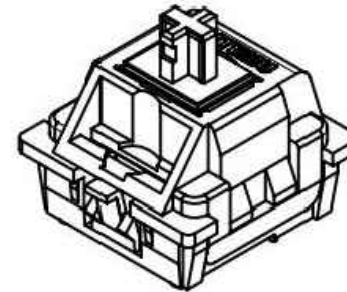
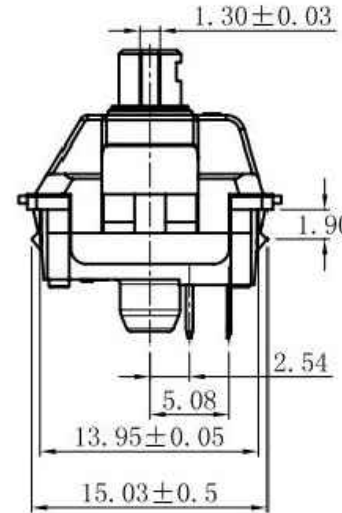


SIZE:



Circuit Diagram



NINGBO RHT ELECTRONIC CO.,LTD

UNITS:mm	SHEET SIZE: A4				SCALE:----
0~3	3~18	18~50	50~120		
±0.12	±0.15	±0.3	±0.5		

DRWN BY PAN

CHK'D BY FENG

APPR BY ZHAN

Push Switchs

THIRD ANGLE PROJECTION



RHTGYS02