

1 2 3 4 5 6 7 8 9

A

B

C

D

E

F

A

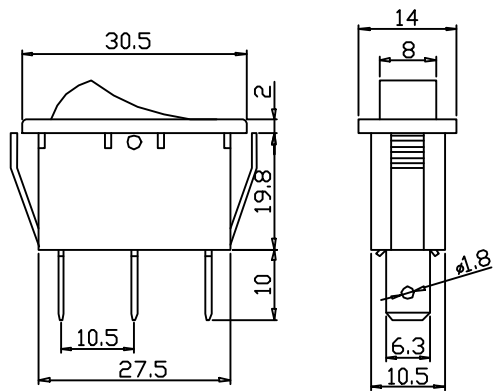
B

C

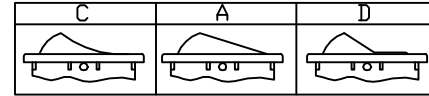
D

E

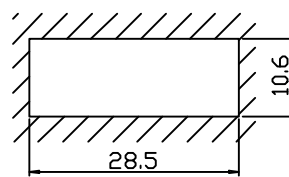
F



Cap Type



Panel hole size



MATERIAL

- 1.Housing: Nylon 66
- 2.Rocker: PC & PA66
- 3.Contacts: Silver Alloy
- 4.Terminal: Brass Silver Plated
- 5.Lamp: Neon Lamp,Tungsten Lamp
- 6.Spring: SWP,SUS
- 7.Movable Arm: Brass Silver Plated



ELECTRICAL

- 1.Electrical Rating:10(4)A 250VAC T85
16(4)A 250VAC T125/55 1E4
15A 125V/7.5A 250AC
- 2.Mechanical Life:Over 30000 Cycles
- 3.Electrical Life: Over 10000 Cycles
- 4.Contact Resistance:<20mΩ
- 5.Insulation Resistance:>1000MΩ
- 6.High Voltage Resistance:>1500V 1 min
- 7.Ambient Temperature:Terminal Side -20°C~+85°C;
Actuating Side -20°C~+55°C
- 8.Storage Temperature: -30°C~+80°C Max
- 9.Atmospheric Humidity: Max 85%
- 10.Actuating Force: 4~8N(Depends On Different Witch Function)
- 11.Flammability: UL94V-2
- 12.Temperature Rise At The Terminal: Max 30°C (U1054)
- 13.Solder Ability Of Terminal: Max 350°C 3S

ORDER INFORMATION

RHTGY01-11/N-C-2 RE/BK -P1.....(2)

Series No

Function
11/NON-OFF 3P W/Lamp
11/ON-OFF 2P
12/ON-ON 3P

Cap Type
A:Flast
C:SoftLine
D:W/Round Len

Cap Printing
0: None
1:
2:
3:
4:
5:
8:

Color Cap/Housing
BK:Black
WT:White
RE:Red
OR:Orange
GR:Green
BL:Blue
GE:Grey

Terminal

Votage
1:110VAC
2:220VAC
3:12VDC
4:24VDC

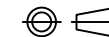
NINGBO RHT ELECTRONIC CO.,LTD

UNITS:mm	SHEET SIZE: A4	SCALE:---	DRWN BY PAN
0~3	3~18	18~50	50~120
±0.12	±0.15	±0.3	±0.5

CHK'D BY FENG
APPR BY ZHAN

Rocker Switch Series

THIRD ANGLE PROJECTION



RHTGY01

1 2 3 4 5 6 7 8 9