



RHTGYW3-OZ Micro Switch Series

Features

Application

Small contact clearance, high sensitivity

Snap action, high precision and high repeat accuracy

Flexible operating travel, wide range of operating force

Wide variety of terminal types

Wide variety of actuator forms

Adopt flame-retarded and fiber enhanced thermoplastics

Long life cycles, high reliability

Various approvals

Widely applied in home appliances, medical devices, office facility, instrument and apparatus, electric motion tools, packing machinery, auto electronics etc.

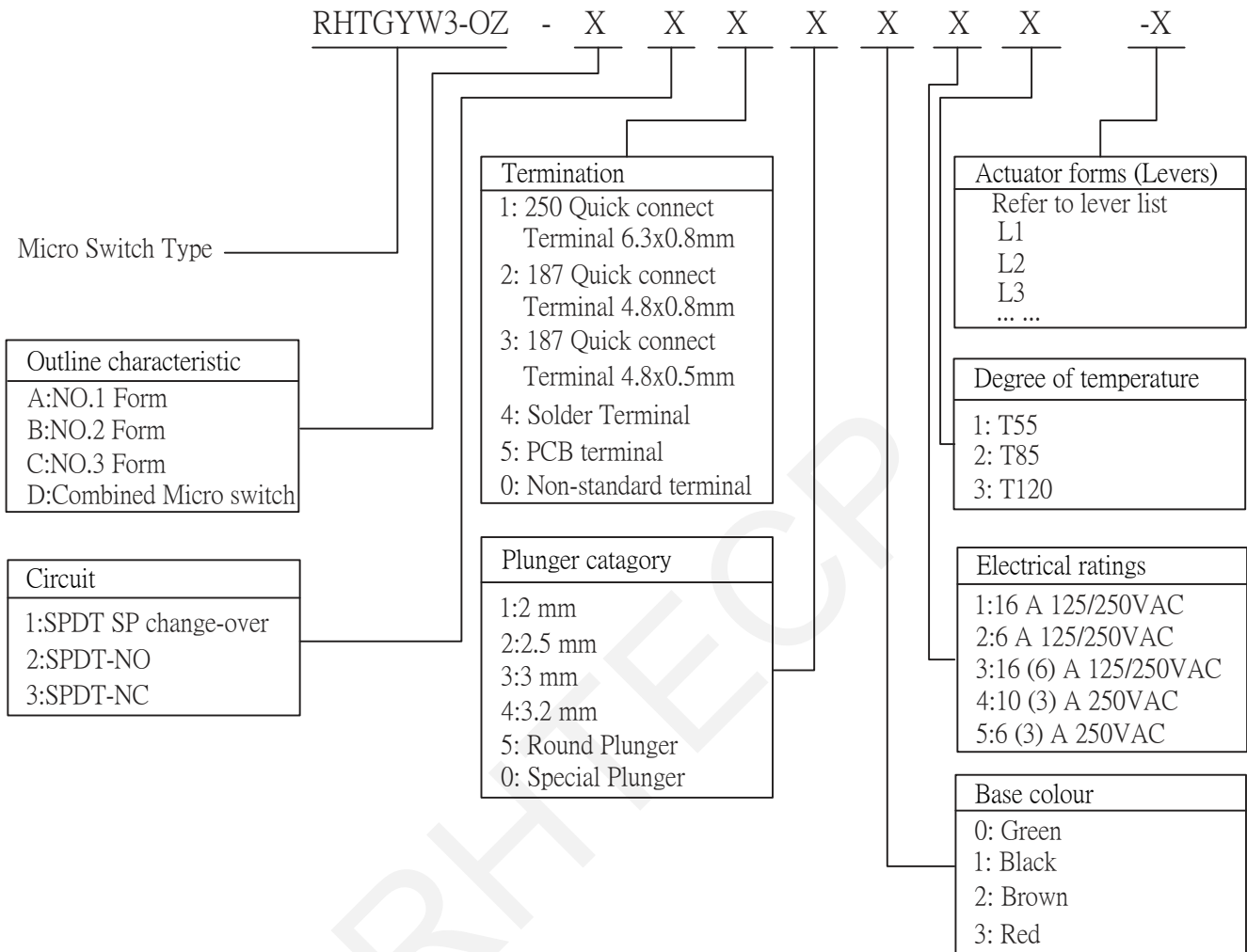
Examples: vending machines, gaming machines, coffee machines, dishwashers, dryers, washing machines, microwave ovens, Central water heating, vacuum cleaners, water pump, projecting apparatus, industrial automations etc.

Specifications

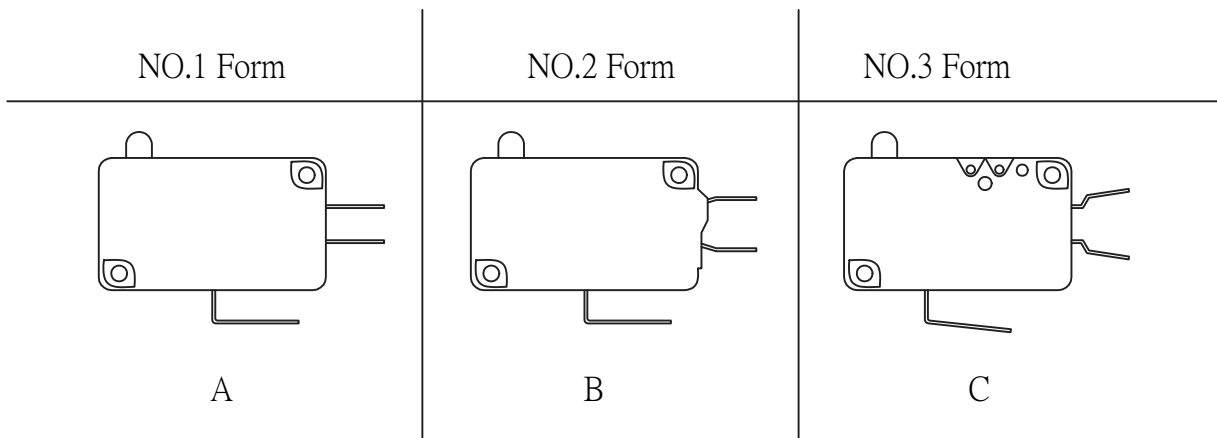
Items		Value
Operating speed		0.1mm 1m/S~
Operating Frequency		Mechanical 60cycles/min; Electrical 25cycles/min
Insulation resistance		$\geq 100M\Omega$ (DC500V)
Contact resistance		$\leq 30m\Omega$ (Initial value)
Test voltage	Between terminals of same polarity	AC1500V 50/60HZ
	Between current-carrying metal parts and ground(case)	AC3750V 50/60HZ
Vibration resistance		10~55 HZ 1.5mm Double amplitude
Shock resistance		Destruction : OF>0.5N : 1000m/S ² (approx.100G) Max OF \leq 0.5N : 400m/S ² (approx.40G) Max Malfunction : OF>0.5N : 200m/S ² (approx.20G) Max OF \leq 0.5N : 100m/S ² (approx.10G) Max
Life expectancy		Mechanical ≥ 2000000 cycles Electrical ≥ 50000 cycles
Degree of protection against electric		Class I /Class II
PTI		175
Approvals		UL CUL VDE TUV CE DEMKO CQC

RHTGYW3-OZ Micro Switch Series

ORDER INFORMATION



Outline Characteristic



RHTGYW3-OZ Micro Switch Series

Circuit Illustration

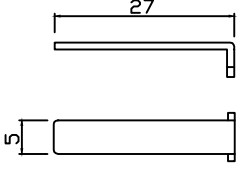
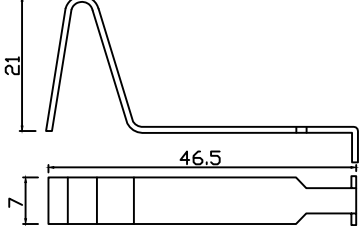
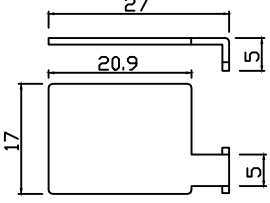
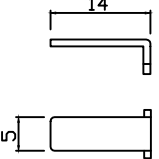
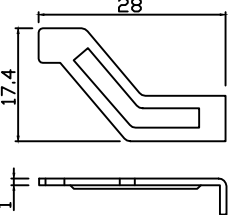
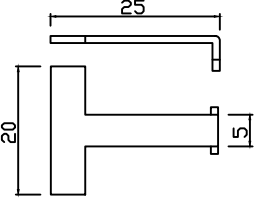
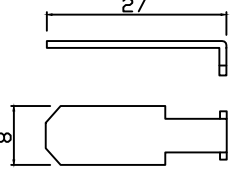
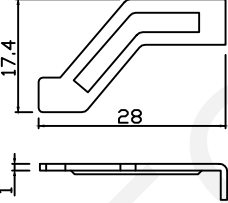
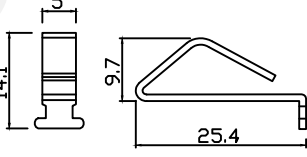
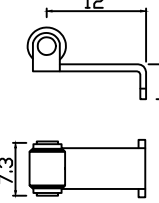
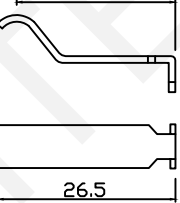
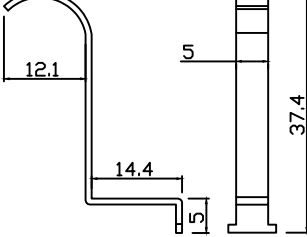
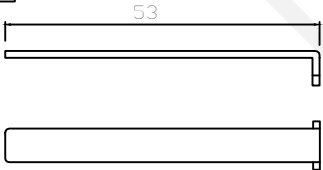
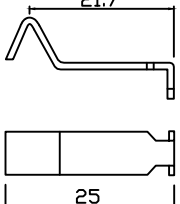
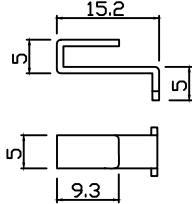
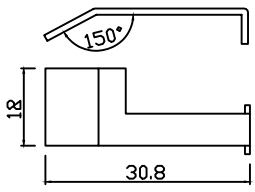
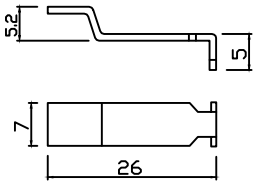
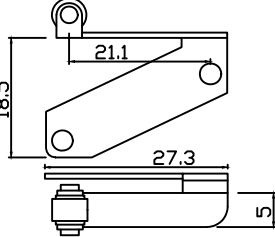
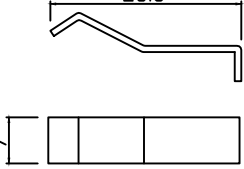
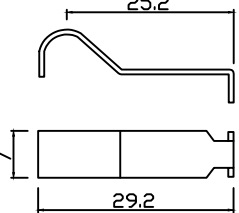
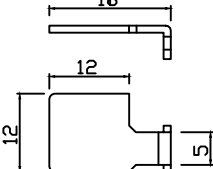
	SPDT 1	SPST NO 2	SPST NO 3
Bottom Common Terminal			
Side Common Terminal			

250 Standard Terminal 6.3x0.8	250 Standard Terminal 4.8x0.8	250 Standard Terminal 4.8x0.5
1	2	3

Actuator Forms(Lever)

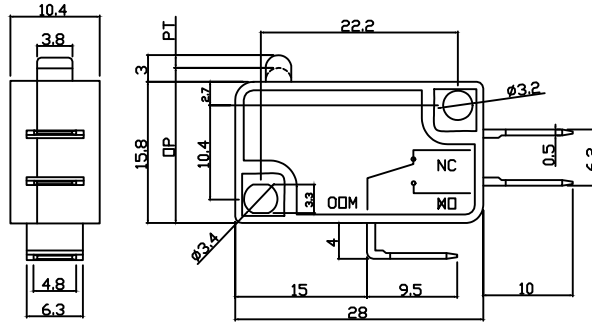
L1	L10	L19
L2	L11	L20

RHTGYW3-OZ Micro Switch Series

<p>L3</p> 	<p>L12</p> 	<p>L21</p> 
<p>L4</p> 	<p>L13</p> 	<p>L22</p> 
<p>L5</p> 	<p>L14</p> 	<p>L23</p> 
<p>L6</p> 	<p>L15</p> 	<p>L24</p> 
<p>L7</p> 	<p>L16</p> 	<p>L25</p> 
<p>L8</p> 	<p>L17</p> 	<p>L26</p> 
<p>L9</p> 	<p>L18</p> 	<p>L27</p> 

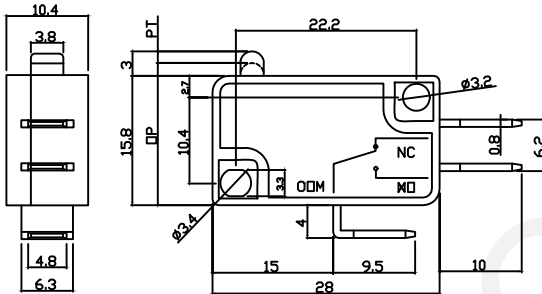
RHTGYW3-OZ Micro Switch Series

RHTGYW3-OZ-A133013L



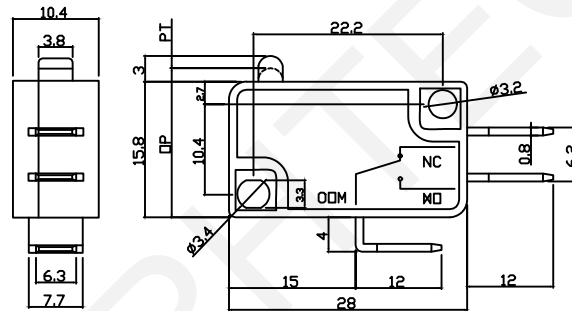
Model	RHTGYW3-OZ-A133013L
OF (N)	0.3~4.5
MD Max(mm)	0.2
PT Max(mm)	2.3
OP Min(mm)	16.5

RHTGYW3-OZ-A123013L



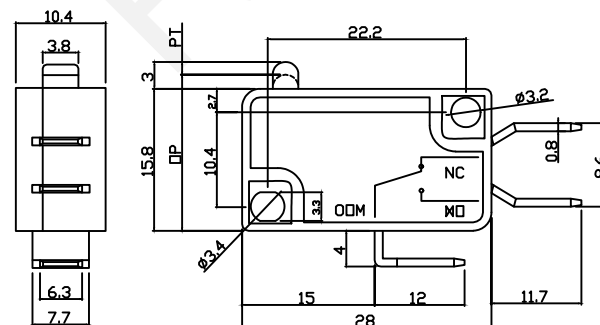
Model	RHTGYW3-OZ-A123013L
OF (N)	0.3~4.5
MD Max(mm)	0.2
PT Max(mm)	2.3
OP Min(mm)	16.5

RHTGYW3-OZ-A113013L



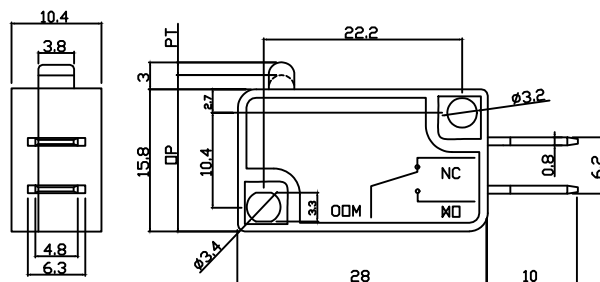
Model	RHTGYW3-OZ-A113013L
OF (N)	0.3~4.5
MD Max(mm)	0.2
PT Max(mm)	2.3
OP Min(mm)	16.5

RHTGYW3-OZ-A113013



Model	RHTGYW3-OZ-A113013
OF (N)	0.3~4.5
MD Max(mm)	0.2
PT Max(mm)	2.3
OP Min(mm)	16.5

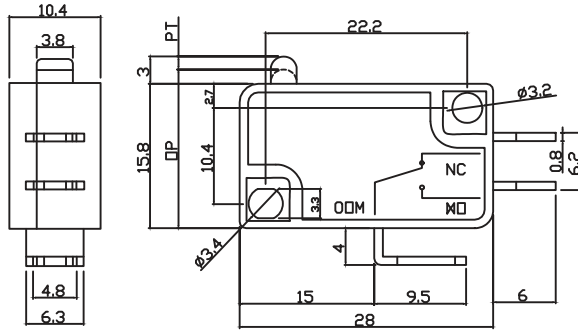
RHTGYW3-OZ-A223013L



Model	RHTGYW3-OZ-A223013L
OF (N)	0.3~4.5
MD Max(mm)	0.2
PT Max(mm)	2.3
OP Min(mm)	16.5

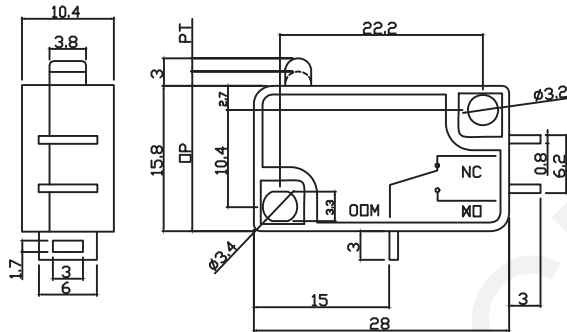
RHTGYW3-OZ Micro Switch Series

RHTGYW3-OZ-A143013L



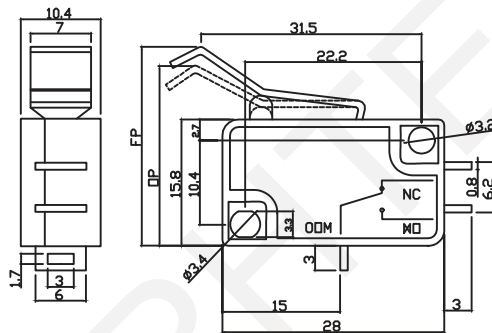
Model	RHTGYW3-OZ-A143013L
OF (N)	0.3~4.5
MD Max(mm)	0.2
PT Max(mm)	2.3
OP Min(mm)	16.5

RHTGYW3-OZ-A103013L



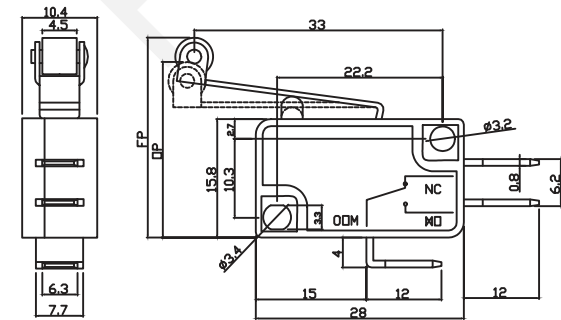
Model	RHTGYW3-OZ-A103013L
OF (N)	0.3~4.5
MD Max(mm)	0.2
PT Max(mm)	2.3
OP Min(mm)	16.5

RHTGYW3-OZ-A103013L9



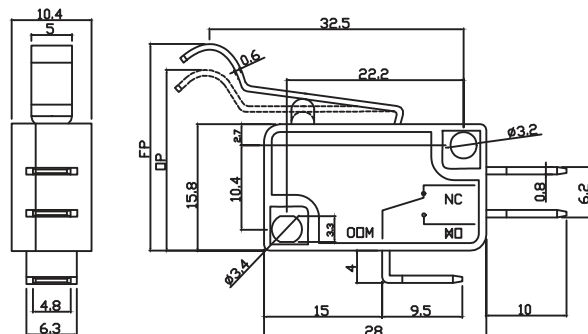
Model	RHTGYW3-OZ-A103013L9
OF (N)	0.3~4.5
MD Max(mm)	0.4
PT Max(mm)	25.3
OP Min(mm)	21.0

RHTGYW3-OZ-A113013L1



Model	RHTGYW3-OZ-A113013L1
OF (N)	0.3~4.5
MD Max(mm)	0.5
PT Max(mm)	26.0
OP Min(mm)	21.0

RHTGYW3-OZ-A123013L2

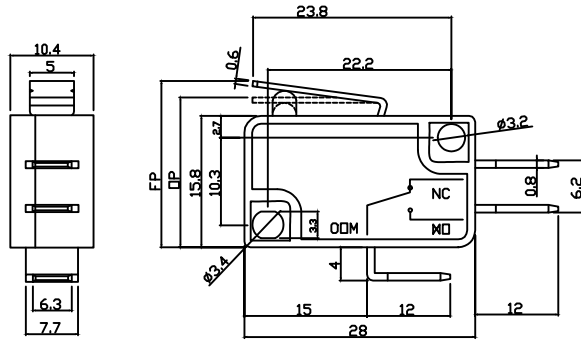


Model	RHTGYW3-OZ-A123013L2
OF (N)	0.3~4.5
MD Max(mm)	0.5
PT Max(mm)	25.3
OP Min(mm)	21.0



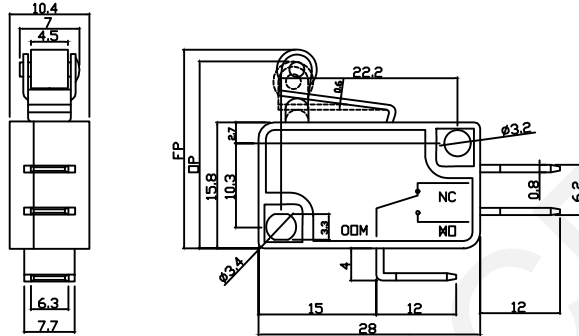
RHTGYW3-OZ Micro Switch Series

RHTGYW3-OZ-A113013L4



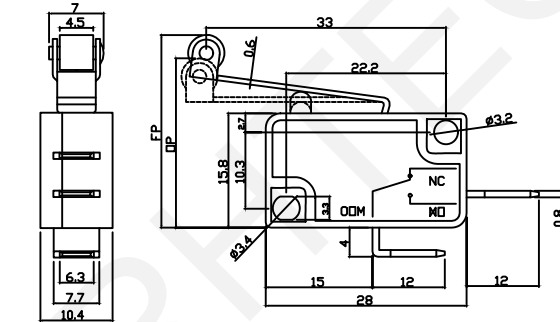
Model	RHTGYW3-OZ-A113013L4
OF (N)	0.3~4.5
MD Max(mm)	0.3
PT Max(mm)	19.8
OP Min(mm)	17.0

RHTGYW3-OZ-A113033L6



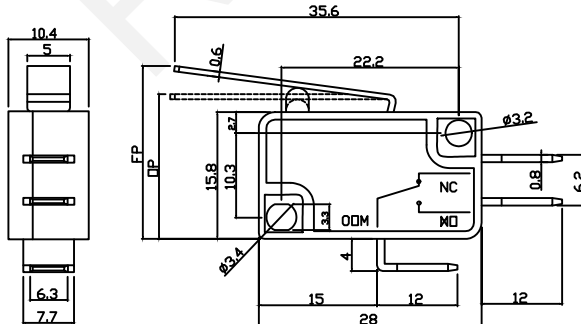
Model	RHTGYW3-OZ-A113033L6
OF (N)	0.3~4.5
MD Max(mm)	0.3
PT Max(mm)	25.0
OP Min(mm)	22.8

RHTGYW3-OZ-A213013L1



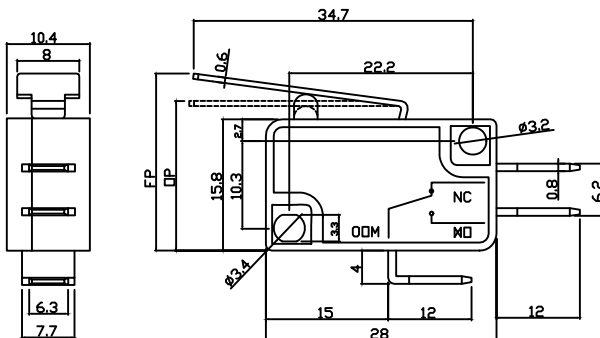
Model	RHTGYW3-OZ-A213013L1
OF (N)	0.3~4.5
MD Max(mm)	0.5
PT Max(mm)	26.0
OP Min(mm)	21.0

RHTGYW3-OZ-A113013L3



Model	RHTGYW3-OZ-A113013L3
OF (N)	0.3~4.5
MD Max(mm)	0.5
PT Max(mm)	22.5
OP Min(mm)	16.5

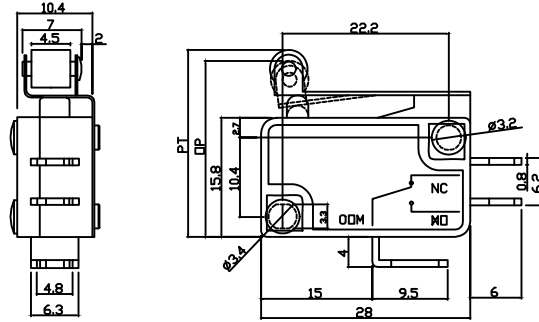
RHTGYW3-OZ-A113013L5



Model	RHTGYW3-OZ-A113013L5
OF (N)	0.3~4.5
MD Max(mm)	0.5
PT Max(mm)	21.0
OP Min(mm)	16.5

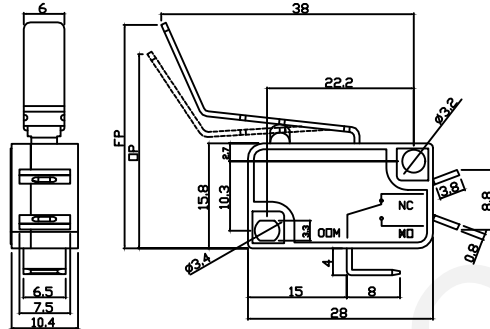
RHTGYW3-OZ Micro Switch Series

RHTGYW3-OZ-A143013L26



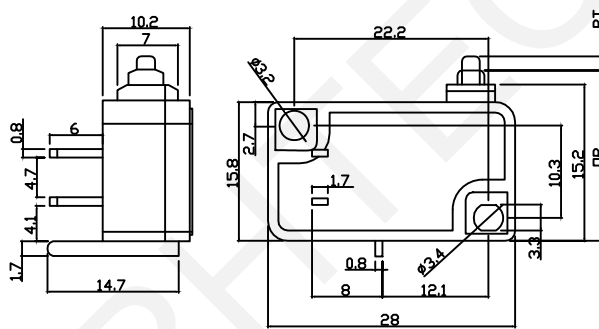
Model	RHTGYW3-OZ-A143013L26
OF (N)	0.3~4.5
MD Max(mm)	0.3
PT Max(mm)	25.0
OP Min(mm)	22.0

RHTGYW3-OZ-A103013L10



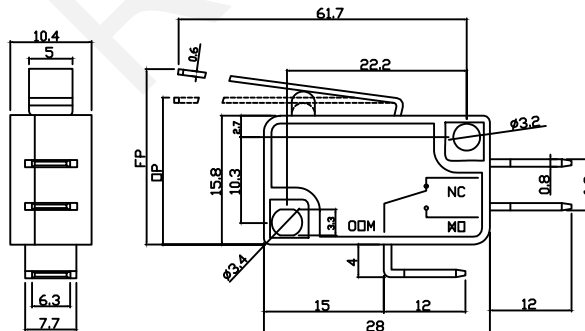
Model	RHTGYW3-OZ-A103013L10
OF (N)	0.3~4.5
MD Max(mm)	0.8
PT Max(mm)	38.0
OP Min(mm)	22.8

RHTGYW3-OZ-A150013L



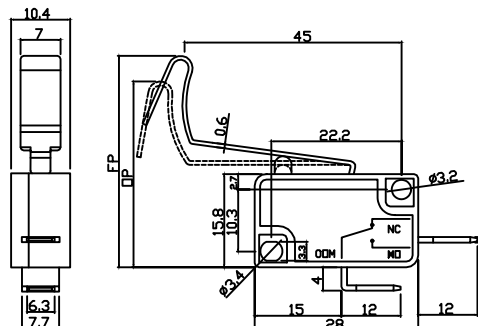
Model	RHTGYW3-OZ-A150013L
OF (N)	0.3~4.5
MD Max(mm)	0.2
PT Max(mm)	1.8
OP Min(mm)	19.5

RHTGYW3-OZ-A113013L7



Model	RHTGYW3-OZ-A113013L7
OF (N)	0.3~4.5
MD Max(mm)	1.2
PT Max(mm)	25.0
OP Min(mm)	14.3

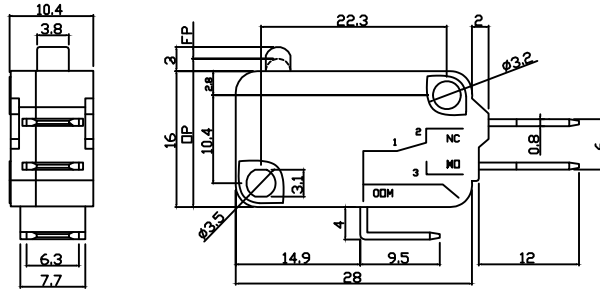
RHTGYW3-OZ-A213013L12



Model	RHTGYW3-OZ-A213013L12
OF (N)	0.3~4.5
MD Max(mm)	1.0
PT Max(mm)	44.6
OP Min(mm)	38.0

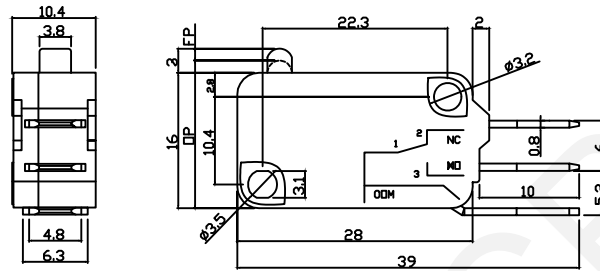
RHTGYW3-OZ Micro Switch Series

RHTGYW3-OZ-B133013L



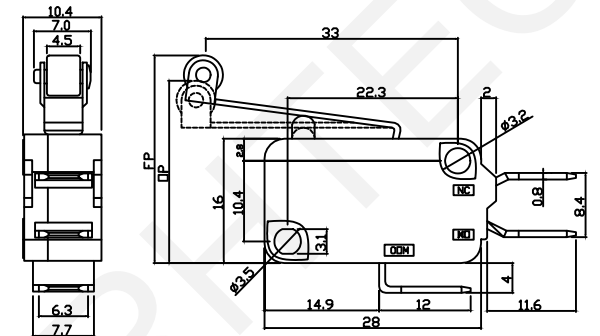
Model	RHTGYW3-OZ-B133013L
OF (N)	0.3~4.5
MD Max(mm)	0.2
PT Max(mm)	2.0
OP Min(mm)	17.0

RHTGYW3-OZ-B123013L



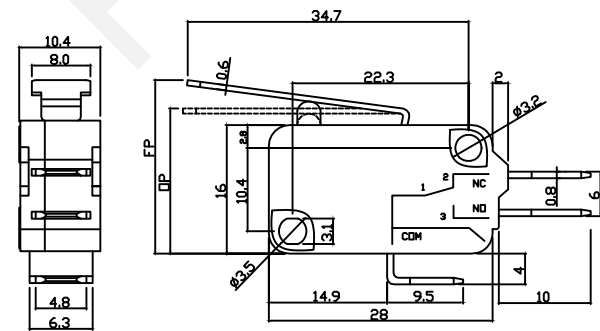
Model	RHTGYW3-OZ-B123013L
OF (N)	0.3~4.5
MD Max(mm)	0.2
PT Max(mm)	2.0
OP Min(mm)	17.0

RHTGYW3-OZ-B113013L1



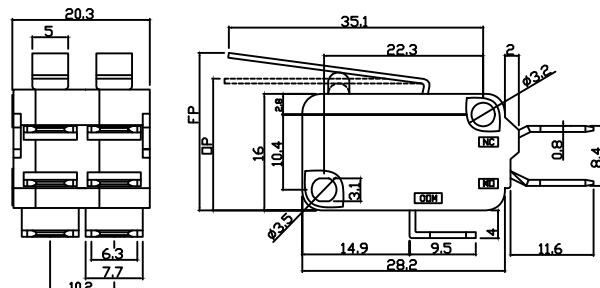
Model	RHTGYW3-OZ-B113013L1
OF (N)	0.3~4.5
MD Max(mm)	0.3
PT Max(mm)	26.0
OP Min(mm)	21.0

RHTGYW3-OZ-B123013L5



Model	RHTGYW3-OZ-B123013L5
OF (N)	0.3~4.5
MD Max(mm)	0.3
PT Max(mm)	21.0
OP Min(mm)	16.5

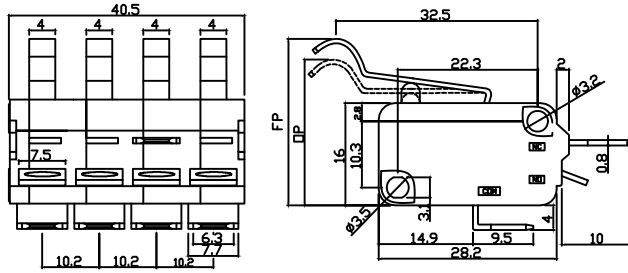
RHTGYW3-OZ-D113013L3



Model	RHTGYW3-OZ-D113013L3
OF (N)	0.3~4.5
MD Max(mm)	0.8
PT Max(mm)	24.5
OP Min(mm)	21.0

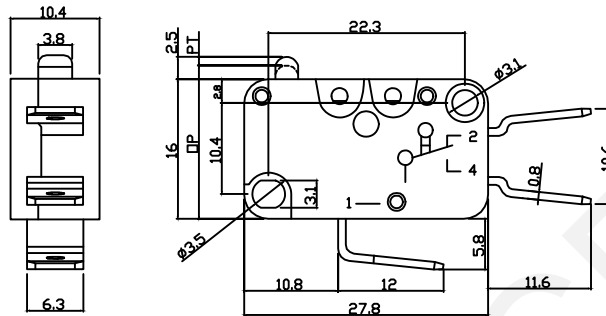
RHTGYW3-OZ Micro Switch Series

RHTGYW3-OZ-D203013L2



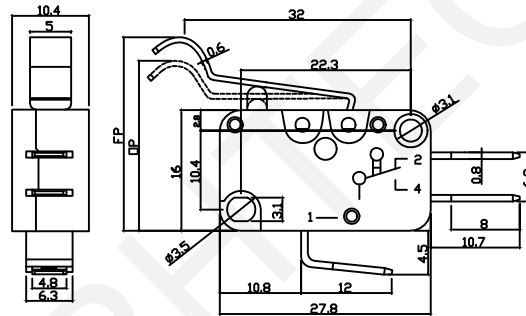
Model	RHTGYW3-OZ-D203013L2
OF (N)	0.3~4.5
MD Max(mm)	0.8
PT Max(mm)	24.5
OP Min(mm)	21.0

RHTGYW3-OZ-C113233L



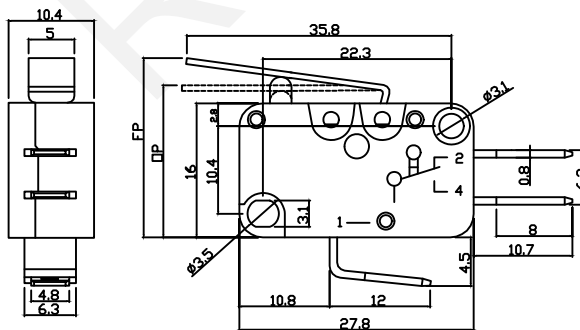
Model	RHTGYW3-OZ-C113233L
OF (N)	0.3~4.5
MD Max(mm)	0.3
PT Max(mm)	2.0
OP Min(mm)	16.5

RHTGYW3-OZ-C123233L2



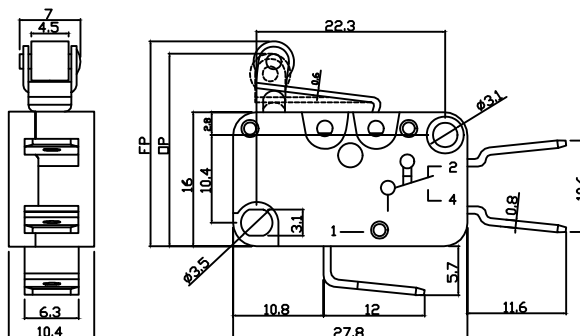
Model	RHTGYW3-OZ-C123233L2
OF (N)	0.3~4.5
MD Max(mm)	0.8
PT Max(mm)	24.2
OP Min(mm)	20.0

RHTGYW3-OZ-C123233L3



Model	RHTGYW3-OZ-C123233L3
OF (N)	0.3~4.5
MD Max(mm)	0.5
PT Max(mm)	20.0
OP Min(mm)	16.0

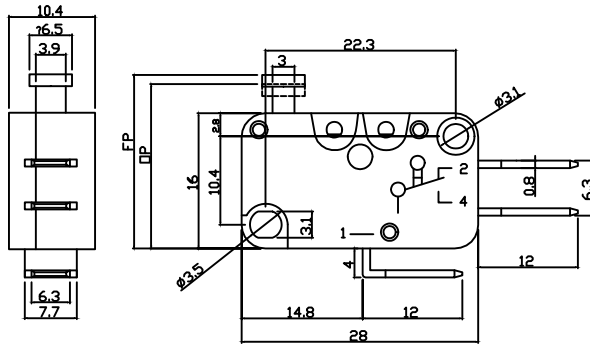
RHTGYW3-OZ-C113233L6



Model	RHTGYW3-OZ-C113233L6
OF (N)	0.3~4.5
MD Max(mm)	0.4
PT Max(mm)	24.5
OP Min(mm)	22.5

RHTGYW3-OZ Micro Switch Series

RHTGYW3-OZ-C115033L



Model	RHTGYW3-OZ-C115033L
OF (N)	0.3~4.5
MD Max(mm)	0.3
PT Max(mm)	20.2
OP Min(mm)	18.5

RHTECP