



QUARTZ CRYSTAL RESONATOR

PARAMETERS

RHTNYU308

Nominal frequency range: 32.768 KHZ

Crystal cut: Fundamental [AT-cut]

Storage temperature range: -40°C~+85°C

Operating temperature range: -20°C~+70°C, -40°C~+85°C

Frequency temperature characteristics(Ref. to +25°C): $\pm 20 \times 10^{-6}$ or specify

Frequency tolerance (at +25°C): $\pm 10 \times 10^{-6}$, $\pm 20 \times 10^{-6}$, $\pm 30 \times 10^{-6}$, or specify

Equivalent series resistance: 50KΩmax.

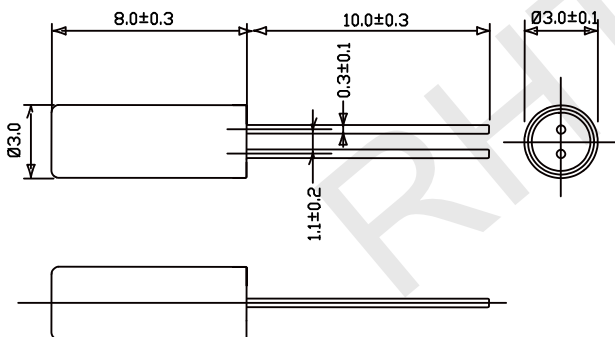
Load capacitance: 12.5pF, or specify

Shunt capacitance: 1.6pF max.

Level of drive: 1.0 μW max.



Outline and Dimensions [unit:mm]



ORDER INFORMATION

