

PCB LAYOUT

Material

Housing: PA66,UL94V-0  
 Pin Header: Brass, Tin plated  
 Clamp: Brass, Ni plated  
 Screw: M2.5 steel Zinc plated

Electrical

Rated voltage: 300V  
 Rated current: 15A  
 Contact Resistance: 20mΩ  
 Insulation resistance: 500MΩ/DC500V  
 Withstand voltage: AC2000V/1min  
 Wire Range:30~14AWG 2.5mm<sup>2</sup>

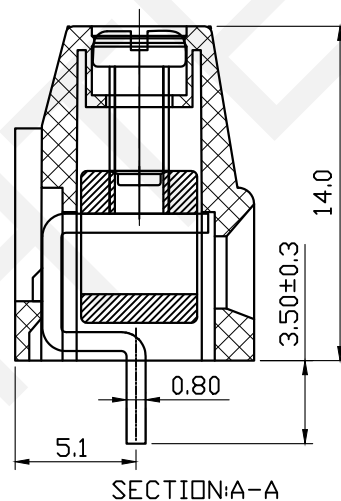
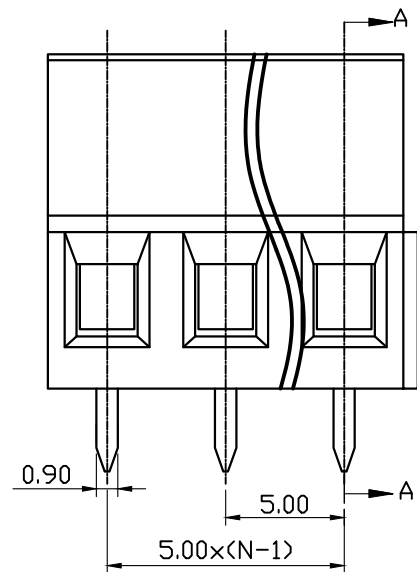
Mechanical

Temp. Range: -40°C~+105°C  
 Strip length: 6~7mm  
 Torque: 0.4Nm(3.5Lb.in)

Order Information

RHTBY28I - 5.00 - XXP - 4 S 00

Terminal Block  
 Pitch  
 No: of Pole  
 Color: 4-Green  
 Screw: S-Slot Screw  
 Product Code: 00~99



SECTION:A-A

|          |                |       |        |               |             |
|----------|----------------|-------|--------|---------------|-------------|
| UNITS:mm | SHEET SIZE: A4 |       |        | SCALE:---     | DRWN BY PAN |
| 0~3      | 3~18           | 18~50 | 50~120 | CHK'D BY FENG |             |
| ±0.12    | ±0.15          | ±0.3  | ±0.5   | APPR BY ZHAN  |             |

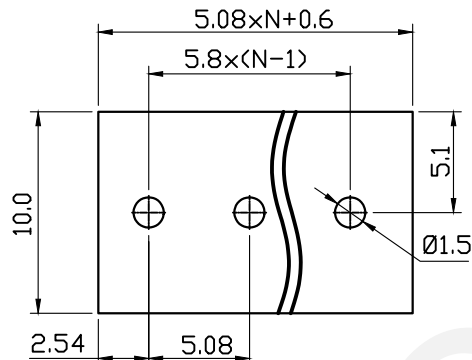
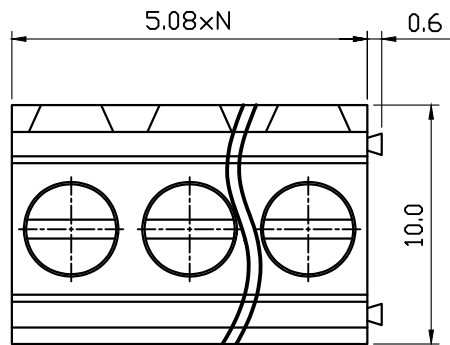
|                        |                      |
|------------------------|----------------------|
| Screw Conn Term 5.00mm |                      |
| THIRD ANGLE PROJECTION | RHTBY28I-5.00-XXP-4S |



NINGBO RHT ELECTRONIC CO.,LTD

G

G



PCB LAYOUT

Material

Housing: PA66,UL94V-0  
 Pin Header: Brass, Tin plated  
 Clamp: Brass, Ni plated  
 Screw: M2.5 steel Zinc plated

Electrical

Rated voltage: 300V  
 Rated current: 15A  
 Contact Resistance: 20mΩ  
 Insulation resistance: 500MΩ/DC500V  
 Withstand voltage: AC2000V/1min  
 Wire Range: 30~14AWG 2.5mm<sup>2</sup>

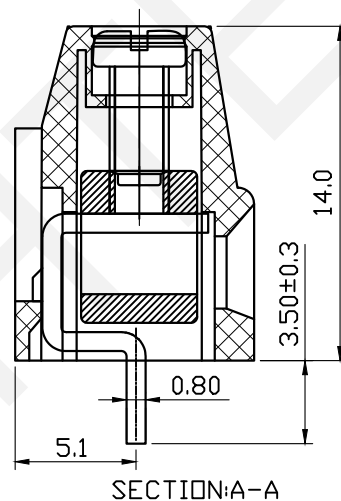
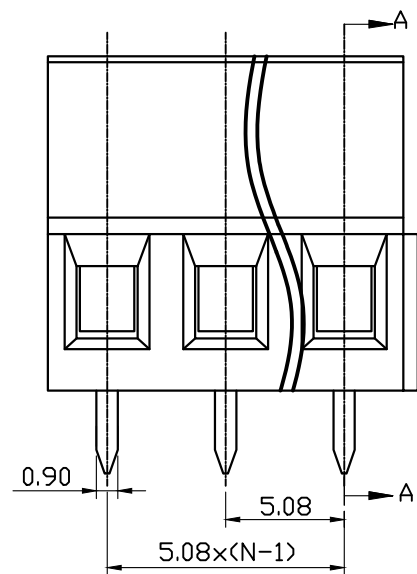
Mechanical

Temp. Range: -40°C~+105°C  
 Strip length: 6~7mm  
 Torque: 0.4Nm(3.5Lb.in)

Order Information

RHTBY28I - 5.08 - XXP - 4 S 00

Terminal Block  
 Pitch  
 No. of Pole  
 Color: 4-Green  
 Screw: S-Slot Screw  
 Product Code: 00~99



SECTION: A-A

|          |                |       |        |               |             |
|----------|----------------|-------|--------|---------------|-------------|
| UNITS:mm | SHEET SIZE: A4 |       |        | SCALE:---     | DRWN BY PAN |
| 0~3      | 3~18           | 18~50 | 50~120 | CHK'D BY FENG |             |
| ±0.12    | ±0.15          | ±0.3  | ±0.5   | APPR BY ZHAN  |             |

|                        |                      |
|------------------------|----------------------|
| Screw Conn Term 5.08mm |                      |
| THIRD ANGLE PROJECTION | RHTBY28I-5.08-XXP-4S |



NINGBO RHT ELECTRONIC CO.,LTD

G

G