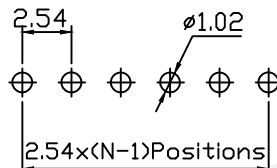
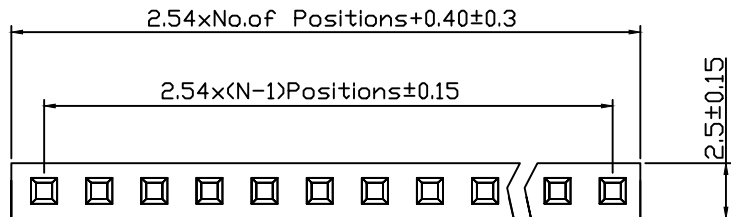
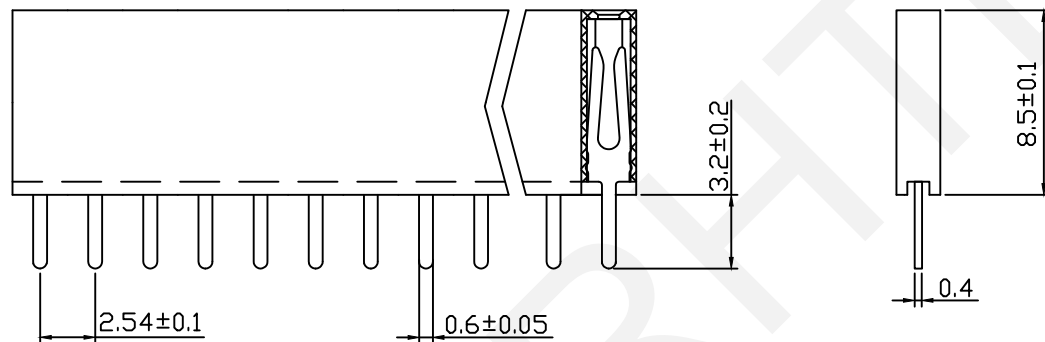


RoHS Compliance



Recommended P.C.B Hole Layout



Material:
 Standard:PBT/PA6T
 Contact: Brass
 Plating: Au Or Sn Over Ni
 Insulator: Polyester, UL94V-0

Electrical Characteristics:
 Rated Current: 3.0AMP
 Contact Resistance: 20mΩ Max
 Withstand Voltage: 1000V AC/DC
 Insulator Resistance: 1000MΩ Min

Mechanical
 Operating Temperature: -40°C~+105°C
 Max.Processing Temp: 180°C For 30-60
 Seconds (200°C For 10 Seconds)

Order Information:
RHTAY08-1-XX-S-B
 Pin Header Series
 08:2.54mm
 Per Row: Single Layer
 Pin: No.of Pins (1x40)
 Type: Straight Pin
 Material:
 A=PBT B=PA6T C=LCP

RHTECP NINGBO RHT ELECTRONIC CO.,LTD

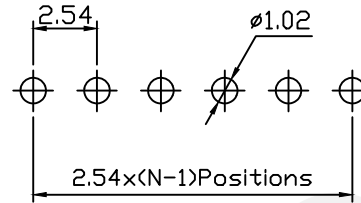
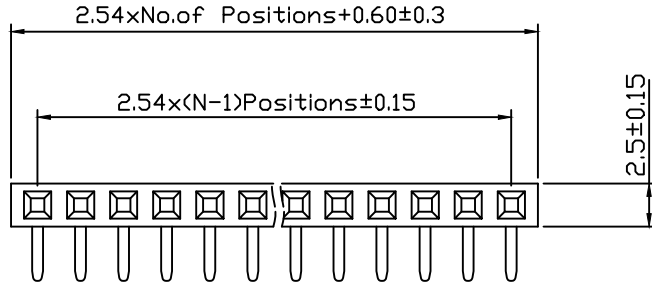
UNITS:mm	SHEET SIZE: A4	SCALE:---	DRWN BY PAN
0~3	3~18	18~50	50~120
±0.12	±0.15	±0.3	±0.5

CHK'D BY FENG
 APPR BY ZHAN

2.54x8.5mm Female Header
 Single Layer, Straight Pin, 1xN Pin
 THIRD ANGLE PROJECTION

RHTAY08-1-XX-S-B

RoHS Compliance

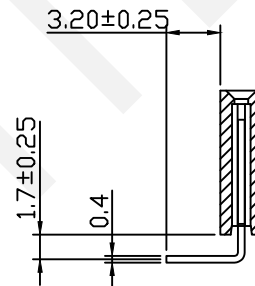
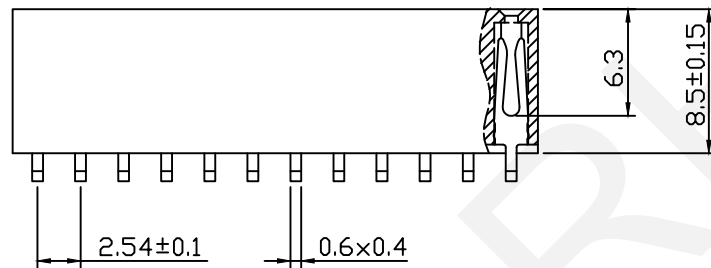


Recommended P.C.B Hole Layout

Material:
 Standard:PBT/PA6T
 Contact: Brass
 Contact Plating:Au Or Sn Over Ni
 Nickel Insulator:Polyester,UL94V-0

Electrical Characteristics:
 Rated Current: 3.0AMP
 Contact Resistance: 20mΩ Max
 Withstand Voltage: 1000V AC/DC
 Insulator Resistance: 1000MΩ Min

Mechanical
 Operating Temperature:-40°C~+105°C
 Max.Processing Temp:180°C For 30-60
 Seconds (200°C For 10 Seconds)



Order Information:

RHTAY08-1-XX-R-B

Pin Header Series

08:2.54mm

Per Row:Single Layer

Pin: No.of Pins (1x40)

Type:Right Angle Pin

Material:

A=PBT B=PA6T C=LCP

RHTECP NINGBO RHT ELECTRONIC CO.,LTD

UNITS:mm	SHEET SIZE: A4	SCALE:---	DRWN BY PAN
0~3	3~18	18~50	50~120
±0.12	±0.15	±0.3	±0.5

CHK'D BY FENG
 APPR BY ZHAN

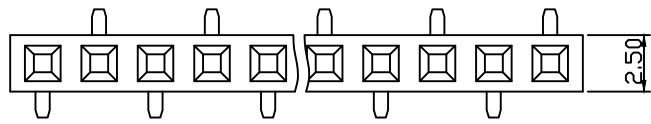
2.54x8.5mm Female Header Single Layer,Type:Right Angle Pin, 1xN Pin

THIRD ANGLE PROJECTION

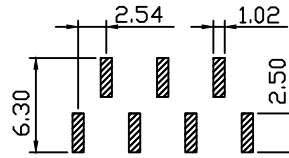


RHTAY08-1-XX-R-B

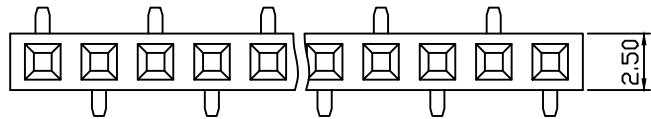
RoHS Compliance



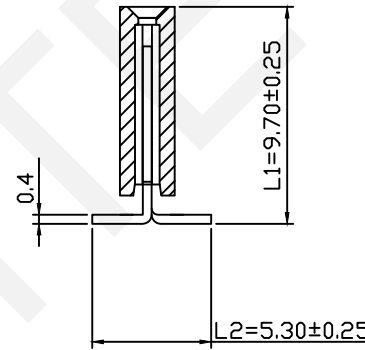
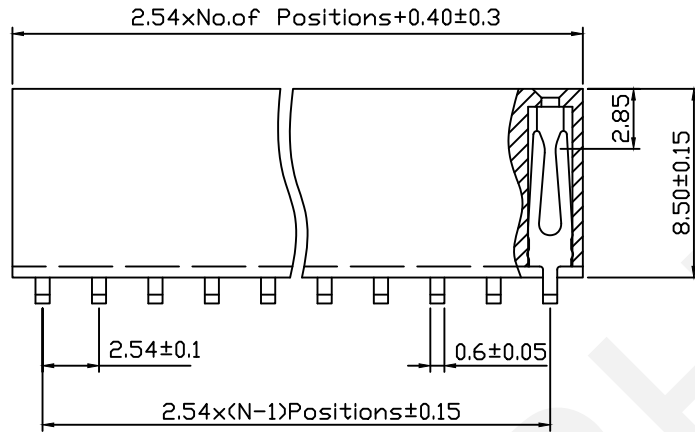
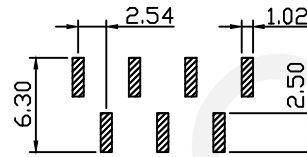
T2 Type



Recommended P.C.B Hole Layout



T1 Type



Dimension Antitheses List (mm)			
ITEM	L1	L2	Plastic Height
Standard	9.70	5.30	8.50
Nonstandard	---	---	---

Material:

Standard:PA6T

Contact:Brass

Contact Plating: Au Or Sn Over 50u" Ni

Nickel Insulator: Polyester, UL94V-0

Electrical Characteristics:

Rated Current: 3.0AMP

Contact Resistance: 20mΩ Max

Withstand Voltage: 1000V AC/DC

Insulator Resistance: 1000MΩ Min

Mechanical

Operating Temperature: -40℃~+105℃

Max.Processing Temp: 230℃ For 30-60

Seconds (260℃ For 10 Seconds)

Order Information:

RHTAY08-1-XX-T1-L1xL2-N-B-R

Pin Header Series

08:2.54mm

Per Row: Single Layer

Pin: No.of Pins (1x40)

SMT Pin: T1 Type T2 Type

Size: L1xL2

Post: W=With Post N=W/O Post

Material: A=PBT B=PA6T C=LCP

Packing:

A=Tray T=Tube M=Reel+Mylar

P=Tube+Cap R=Reel+Cap

RHITECP NINGBO RHT ELECTRONIC CO.,LTD

UNITS:mm

SHEET SIZE: A4

SCALE: ---

DRWN BY PAN

0~3

3~18

18~50

50~120

CHK'D BY FENG

±0.12

±0.15

±0.3

±0.5

APPR BY ZHAN

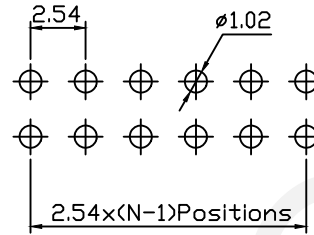
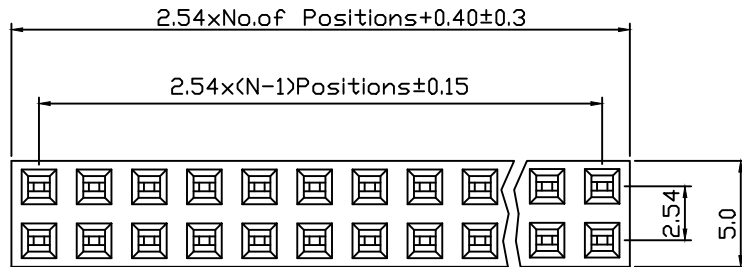
2.54x8.5mm Female Header
Single Layer, SMT Pin, 1xN Pin

THIRD ANGLE PROJECTION

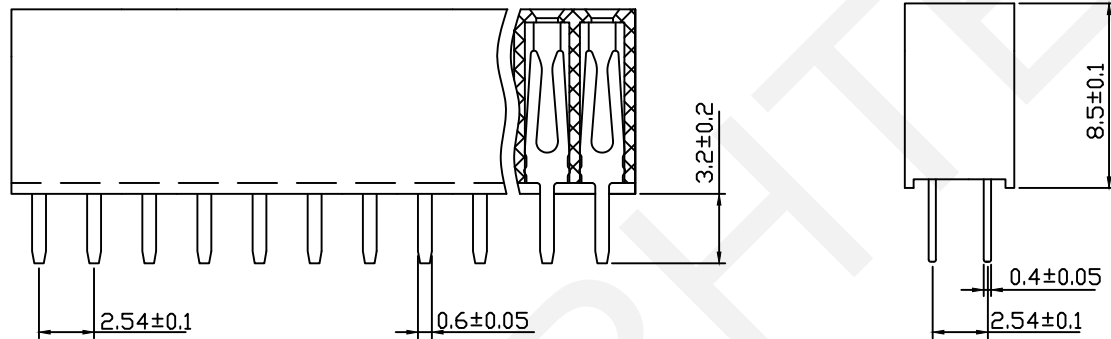


RHTAY08-1-XX-T1-L1xL2-N-B-R

RoHS Compliance



Recommended P.C.B Hole Layout



Material:
Standard: PBT/PA6T
Contact: Brass
Contact Plating: Gold Flash All Over
Nickel Insulator: Polyester, UL94V-0

Electrical Characteristics:
Rated Current: 3.0AMP
Contact Resistance: 20mΩ Max
Withstand Voltage: 1000V AC/DC
Insulator Resistance: 1000MΩ Min

Mechanical
Operating Temperature: -40°C~+105°C
Max. Processing Temp: 180°C For 30-60
Seconds (200°C For 10 Seconds)

Order Information:

RHTAY08-2-XX-S-B

Pin Header Series

08: 2.54mm

Per Row: Double Layer

Pin: No. of Pins (2x40)

Type: Straight Pin

Material:

A=PBT B=PA6T C=LCP

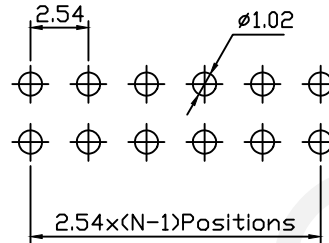
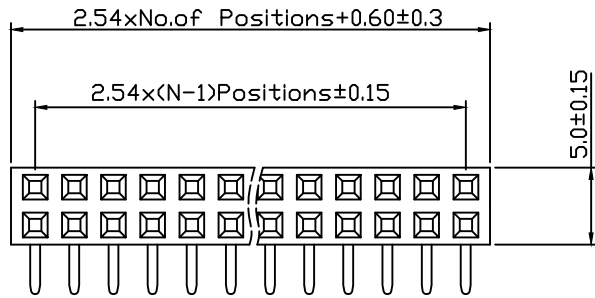
RHTECP NINGBO RHT ELECTRONIC CO.,LTD

UNITS:mm	SHEET SIZE: A4				SCALE:---	DRWN BY PAN
0~3	3~18	18~50	50~120	CHK'D BY FENG	2.54x8.5mm Female Header Double Layer, Straight Pin, 2xN Pin	
±0.12	±0.15	±0.3	±0.5	APPR BY ZHAN	THIRD ANGLE PROJECTION	RHTAY08-2-XX-S-B

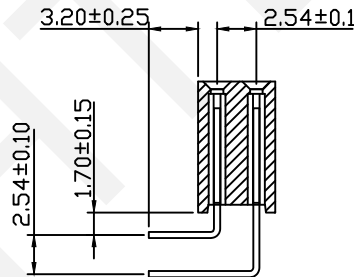
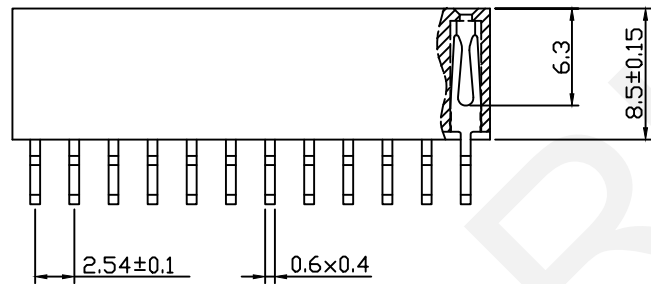


RHTAY08-2-XX-S-B

RoHS Compliance



Recommended P.C.B Hole Layout



Material:
 Standard: PBT/PA6T
 Contact: Brass
 Contact Plating: Au or Sn Over Ni
 Nickel Insulator: Polyester, UL94V-0

Electrical Characteristics:
 Rated Current: 3.0AMP
 Contact Resistance: 20mΩ Max
 Withstand Voltage: 1000V AC/DC
 Insulator Resistance: 1000MΩ Min

Mechanical
 Operating Temperature: -40°C~+105°C
 Max. Processing Temp: 180°C For 30-60 Seconds (200°C For 10 Seconds)

Order Information:

RHTAY08-2-XX-R-B

Pin Header Series

08: 2.54mm

Per Row: Double Layer

Pin: No. of Pins (2x40)

Type: Right Angle Pin

Material:

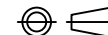
A=PBT B=PA6T C=LCP

RHTECP NINGBO RHT ELECTRONIC CO.,LTD

UNITS:mm	SHEET SIZE: A4			SCALE:---	DRWN BY PAN
0~3	3~18	18~50	50~120	CHK'D BY FENG	
±0.12	±0.15	±0.3	±0.5	APPR BY ZHAN	

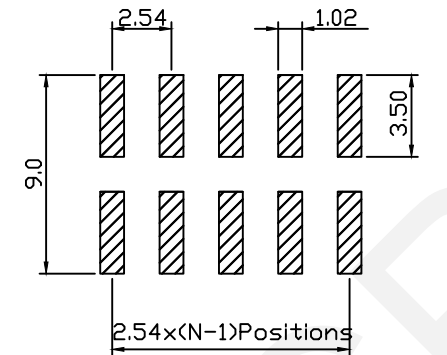
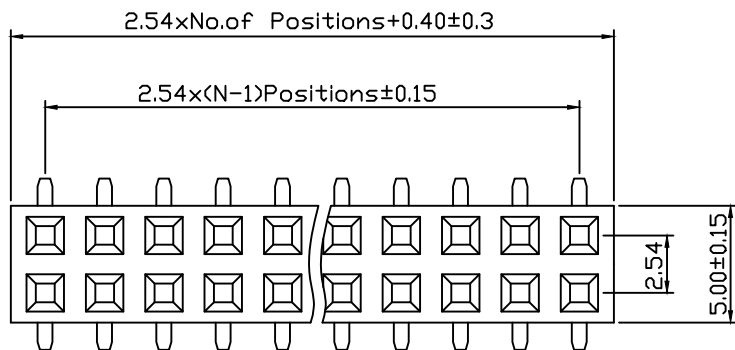
2.54x8.5mm Female Header
 Double Layer, Right Angle Pin, 2xN Pin

THIRD ANGLE PROJECTION

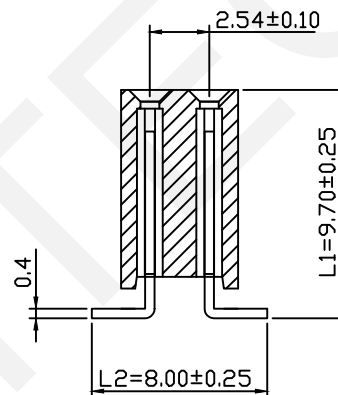
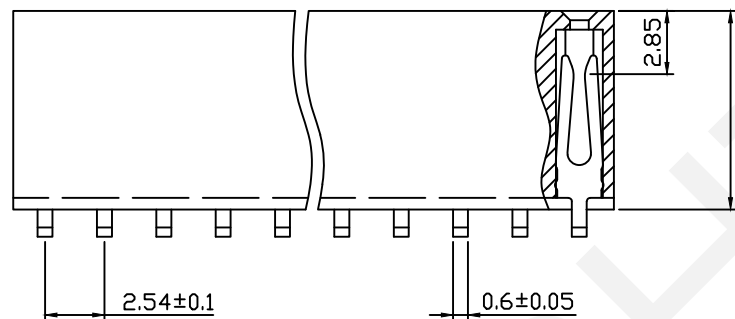


RHTAY08-2-XX-R-B

RoHS Compliance



Recommended P.C.B Hole Layout



Dimension Antitheses List (mm)			
ITEM	L1	L2	Plastic Height
Standard	9.70	8.00	8.50
Nonstandard	---	---	---

Material:
 Standard:PA6T
 Contact:Brass
 Contact Plating: Au Or Sn Over 50u" Ni
 Nickel Insulator: Polyester, UL94V-0
 Electrical Characteristics:
 Rated Current: 3.0AMP
 Contact Resistance: 20mΩ Max
 Withstand Voltage: 1000V AC/DC
 Insulator Resistance: 1000MΩ Min
 Mechanical
 Operating Temperature: -40℃~+105℃
 Max.Processing Temp: 230℃ For 30-60
 Seconds (260℃ For 10 Seconds)

Order Information:
RHTAY08-2-XX-T-L1xL2-B-R
 Pin Header Series
 08:2.54mm
 Per Row: Double Layer
 Pin: No.of Pins (2x40)
 SMT Pin:
 T-Without Post, T3=With Post
 Size: L1xL2
 Material: A=PBT B=PA6T C=LCP
 Packing:
 A=Tray T=Tube M=Reel+Mylar
 P=Tube+Cap R=Reel+Cap

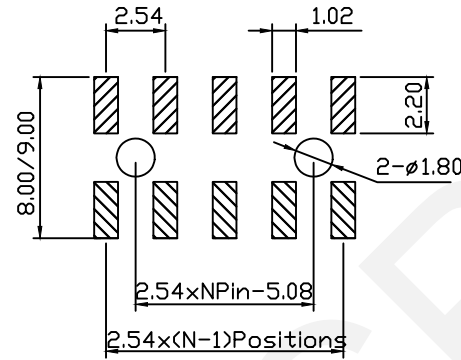
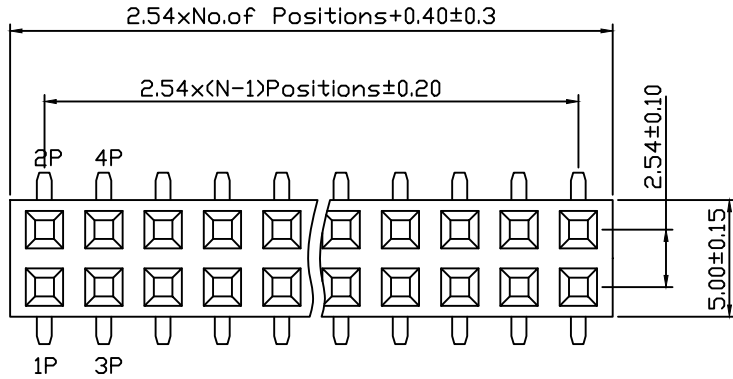
NINGBO RHT ELECTRONIC CO.,LTD

UNITS:mm	SHEET SIZE: A4		SCALE:---	DRWN BY PAN
0~3	3~18	18~50	50~120	CHK'D BY FENG
±0.12	±0.15	±0.3	±0.5	APPR BY ZHAN

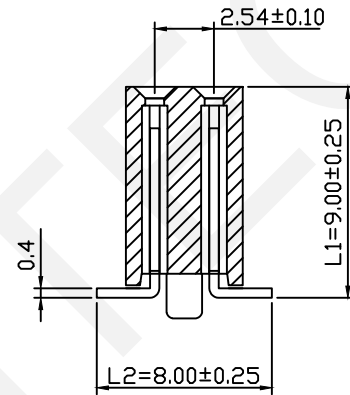
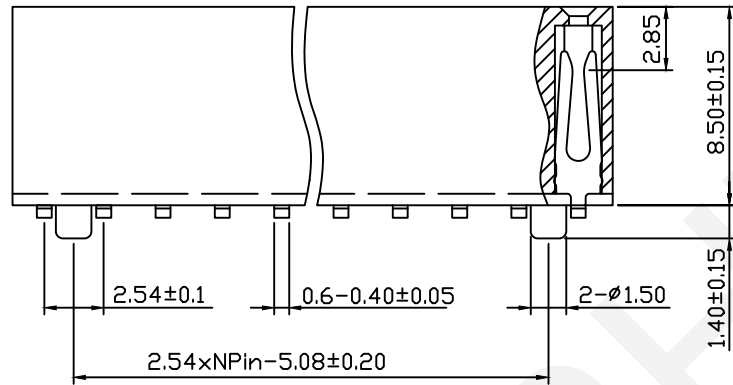
2.54x8.5mm Female Header
 Double Layer, SMT Pin, 2xN Pin
 THIRD ANGLE PROJECTION

 RHTAY08-2-XX-T-L1xL2-B-R

RoHS Compliance



Recommended P.C.B Hole Layout



Dimension Antitheses List (mm)			
ITEM	L1	L2	Plastic Height
Standard	9.00	8.00	8.50
Nonstandard	---	7.00	8.50

Material:

Standard:PA6T

Contact:Brass

Contact Plating: Au Or Sn Over Ni

Nickel Insulator: Polyester, UL94V-0

Electrical Characteristics:

Rated Current: 3.0AMP

Contact Resistance: 20mΩ Max

Withstand Voltage: 1000V AC/DC

Insulator Resistance: 1000MΩ Min

Mechanical

Operating Temperature: -40℃~+105℃

Max.Processing Temp: 260℃±5℃ 5s

Order Information:

RHTAY08-2-XX-T3-L1xL2-B-R

Pin Header Series

08:2.54mm

Per Row: Double Layer

Pin: No.of Pins (2x40)

SMT Pin:

T-Without Post, T3=With Post

Size: L1xL2

Material: A=PBT B=PA6T C=LCP

Packing:

A=Tray T=Tube M=Reel+Mylar

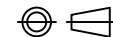
P=Tube+Cap R=Reel+Cap

NINGBO RHT ELECTRONIC CO.,LTD

UNITS:mm	SHEET SIZE: A4	SCALE:---	DRWN BY PAN
0~3	3~18	18~50	50~120
±0.12	±0.15	±0.3	±0.5
CHK'D BY FENG		APPR BY ZHAN	

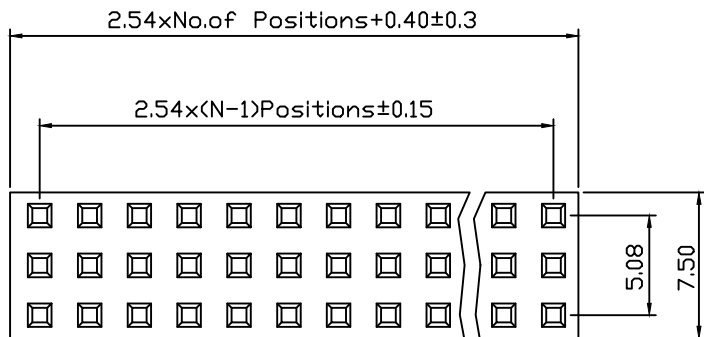
2.54x8.5mm Female Header
Double Layer, SMT Pin, 2xN Pin

THIRD ANGLE PROJECTION

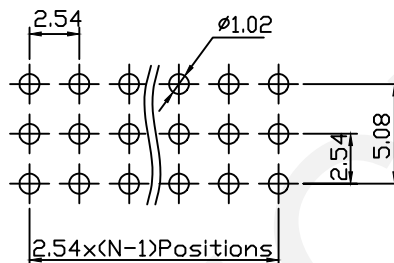


RHTAY08-2-XX-T3-L1xL2-B-R

RoHS Compliance



Recommended P.C.B Layout
PCB TOLERANCE±0.05(Top Side)



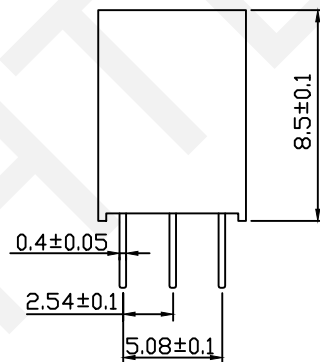
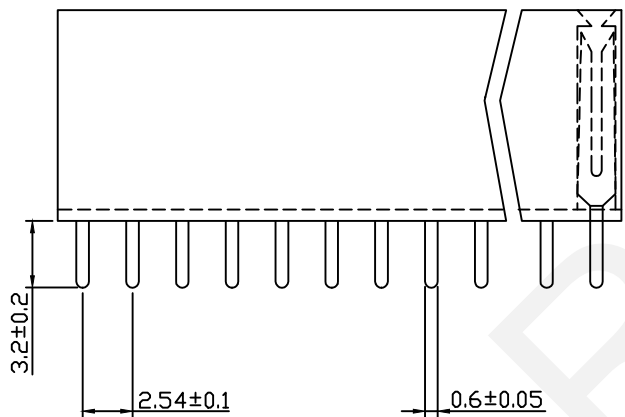
Material:
Standard:PBT/PA6T
Contact: Brass
Contact:Phosphor bronze
Plating: 1u" Min Gold Plating Over All 30u"
Min Nickel Underplating Over All
Insulator:Polyester,UL94V-0

Electrical Characteristics:

Rated Current: 3.0AMP
Contact Resistance: 20mΩ Max
Withstand Voltage: 1000V AC/DC
Insulator Resistance: 1000MΩ Min

Mechanical

Operating Temperature:-40℃~+105℃



Order Information:

RHTAY08-3-XX-S-A

Pin Header Series

08:2.54mm

Per Row:Three Layer

Pin: No.of Pins (3x40)

Type: Straight Pin

Material:

A=PBT B=PA6T C=LCP

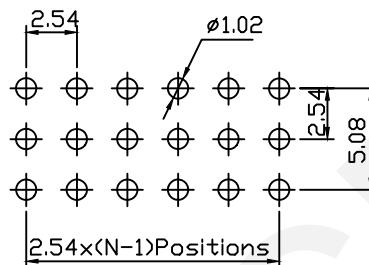
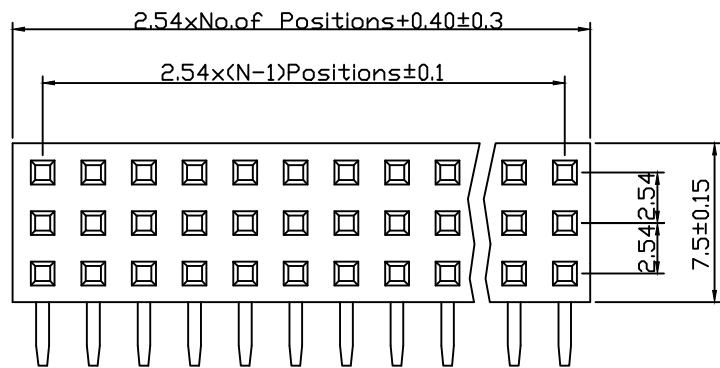
RHTECP NINGBO RHT ELECTRONIC CO.,LTD

UNITS:mm	SHEET SIZE: A4	SCALE:---	DRWN BY PAN
0~3	3~18	18~50	50~120
±0.12	±0.15	±0.3	±0.5

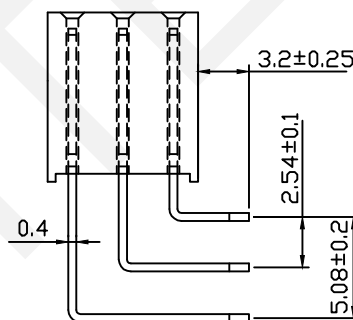
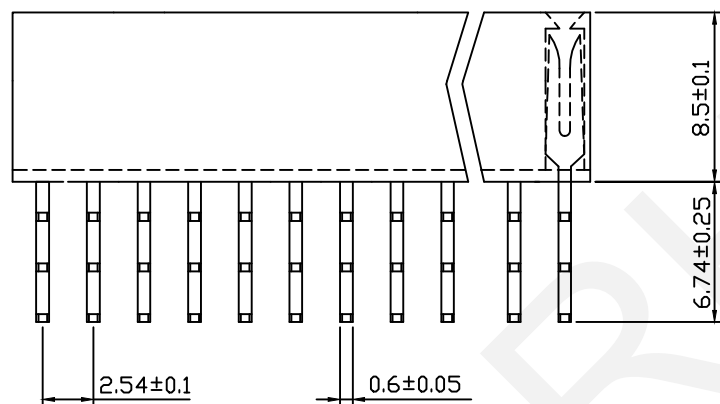
CHK'D BY FENG
APPR BY ZHAN

2.54x8.5mm Female Header
Three Layer, Straight Pin, 3xN Pin
THIRD ANGLE PROJECTION
RHTAY08-3-XX-S-A

RoHS Compliance



Recommended P.C.B Layout
PCB TOLERANCE±0.05(Top Side)



Material:

Standard:PBT/PA6T

Contact:Brass

Plating:Au Or Sn Over 50u" Ni

Insulator:Polyester,UL94V-0

Electrical Characteristics:

Rated Current: 3.0AMP

Contact Resistance: 20mΩ Max

Withstand Voltage: 1000V AC/DC

Insulator Resistance: 1000MΩ Min

Mechanical

Operating Temperature:-40℃~+105℃

Max.Processing Temp:180℃ For 30-60

Seconds (200℃ For 10 Seconds)

Order Information:

RHTAY08-3-XX-R-A

Pin Header Series

08:2.54mm

Per Row:Three Layer

Pin: No.of Pins (3x40)

Type:Right Angle Pin

Material:

A=PBT B=PA6T C=LCP

RHTECP NINGBO RHT ELECTRONIC CO.,LTD

UNITS:mm

SHEET SIZE: A4

SCALE:---

DRWN BY PAN

2.54x8.5mm Female Header
Three Layer,Right Angle Pin,3xN Pin

0~3

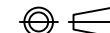
3~18

18~50

50~120

CHK'D BY FENG

THIRD ANGLE PROJECTION



RHTAY08-3-XX-R-A

±0.12

±0.15

±0.3

±0.5

APPR BY ZHAN

1

2

3

4

5

6

7

8

9