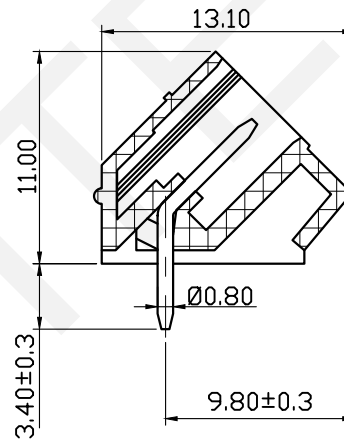
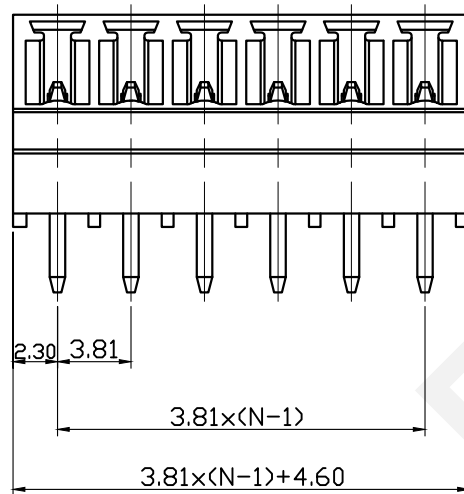
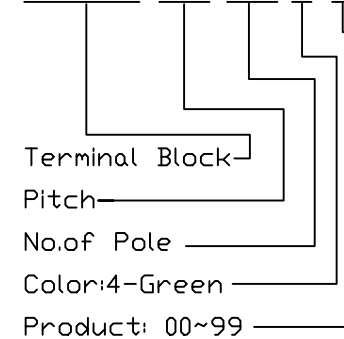


PCB LAYOUT

Material  
 Housing:PA66, UL94V-0  
 Pin header:Copper Alloy,Sn plated  
 Electrical  
 Rated voltage:300V  
 Rated current:8A  
 Contact Resistance:20 mΩ  
 Insulation resistance: 500MΩ/DC500V  
 Withstand voltage:AC2000V/1min  
 Mechanical  
 Temp.Range:-40℃+105℃



Order Information  
 RHTBYDY-3.81-XXP-4-00



NINGBO RHT ELECTRONIC CO.,LTD

UNITS:mm	SHEET SIZE: A4			SCALE:---	DRWN BY PAN
0~3	3~18	18~50	50~120	CHK'D BY FENG	
±0.12	±0.15	±0.3	±0.5	APPR BY ZHAN	

Pluggable Terminal Block 3.81MM

THIRD ANGLE PROJECTION



RHTBYDY-3.81-XXP-4-00